



*Green Passion*

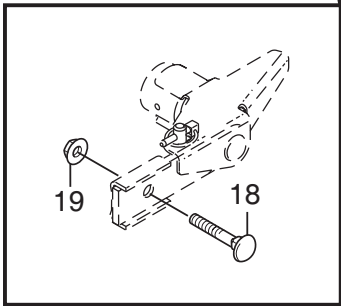
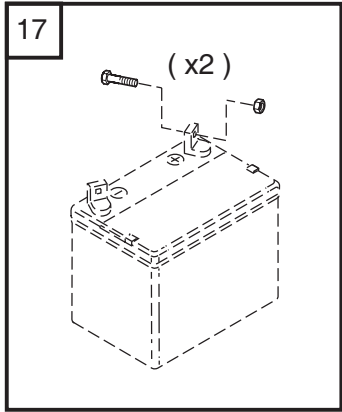
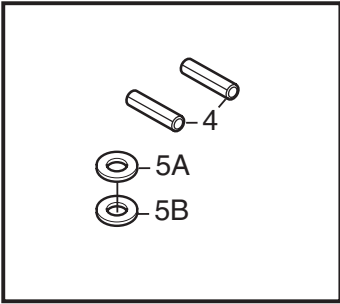
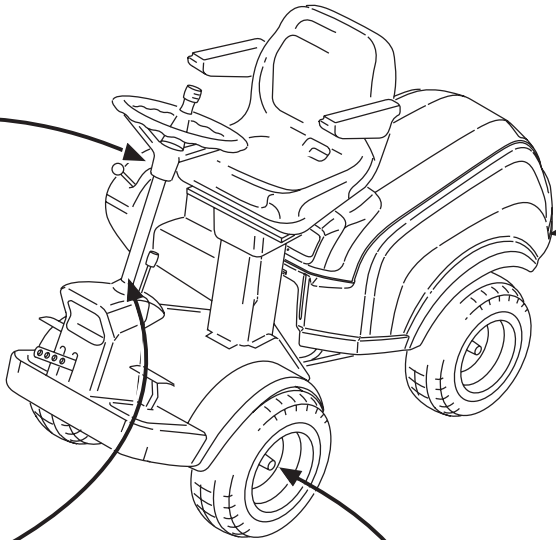
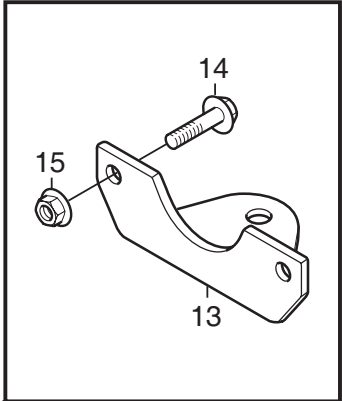
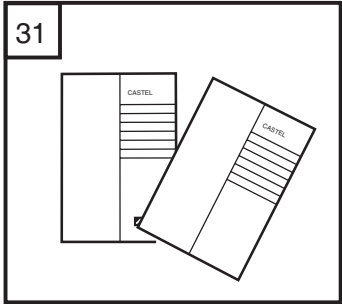
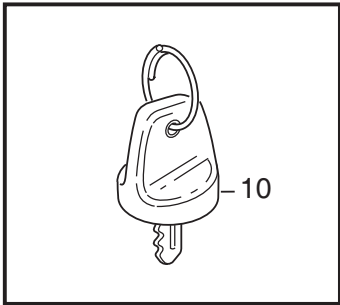
# Illustrated Parts List

**XKH4 165HD-XKH4 180HD  
Model Year 2010**

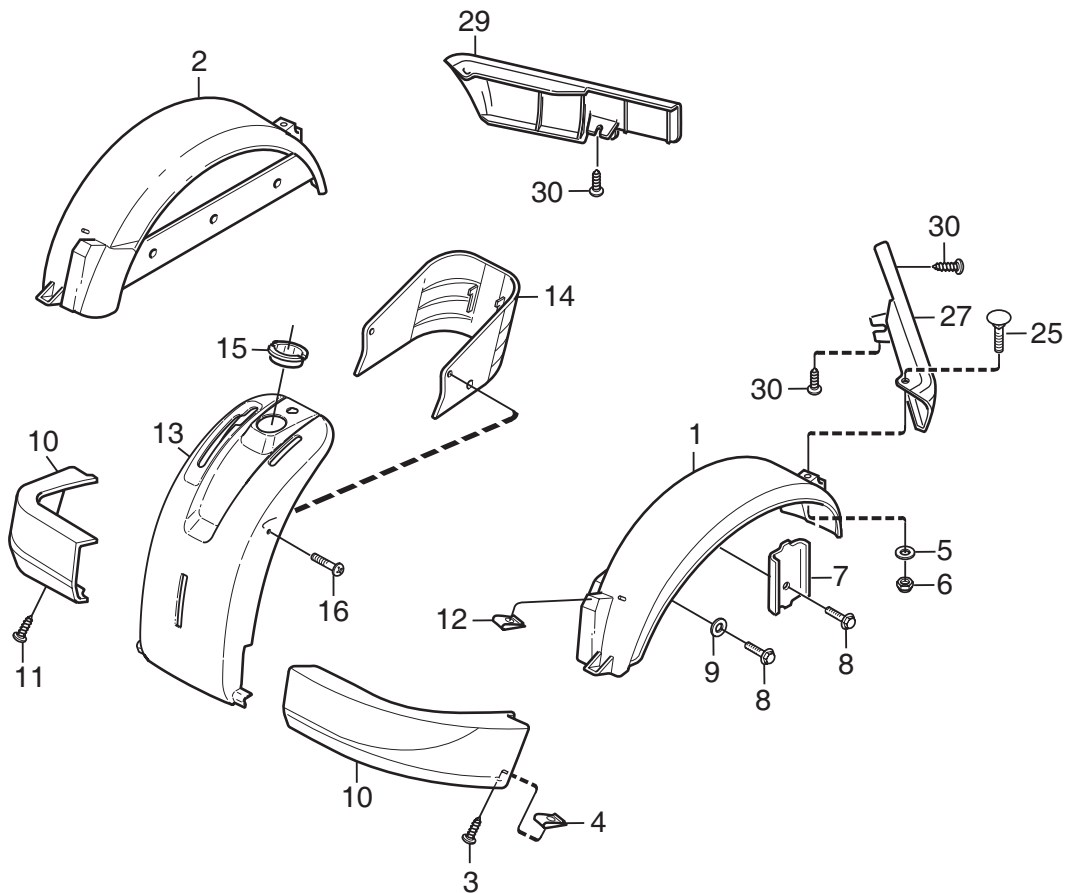
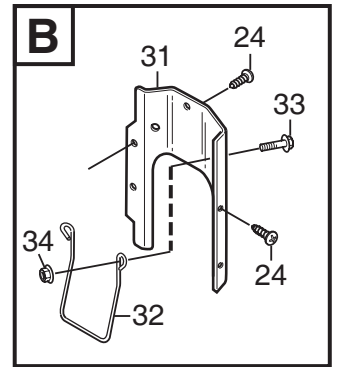
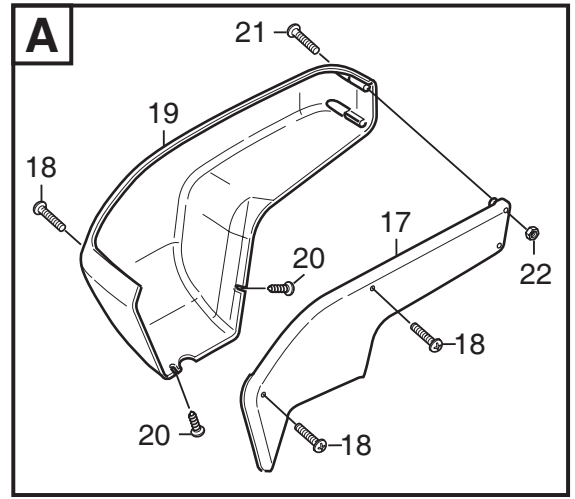
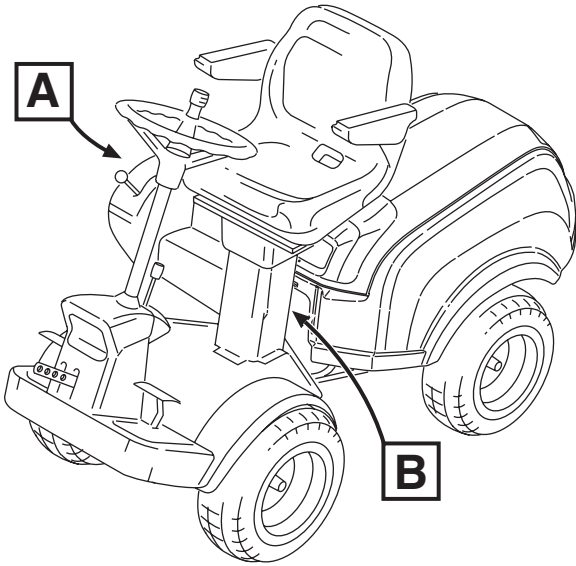
- Use GLOBAL GARDEN PRODUCT Genuine Spare Parts specified in the parts list for repair and/or replacement.
- The contents described in the parts list may change due to improvement.
- The drawings of the spare parts are only indicative and might not represent the part in question exactly.
- The indications "right" - "left" - "front" - "rear" refer to the position of the operator when using the machine.
- When placing orders of parts for repair and/or replacement, make sure that the illustrated parts list is the one applying to the machine's year of manufacture, as shown on the identification plate attached to the machine.

COPYRIGHT by GLOBAL GARDEN PRODUCTS

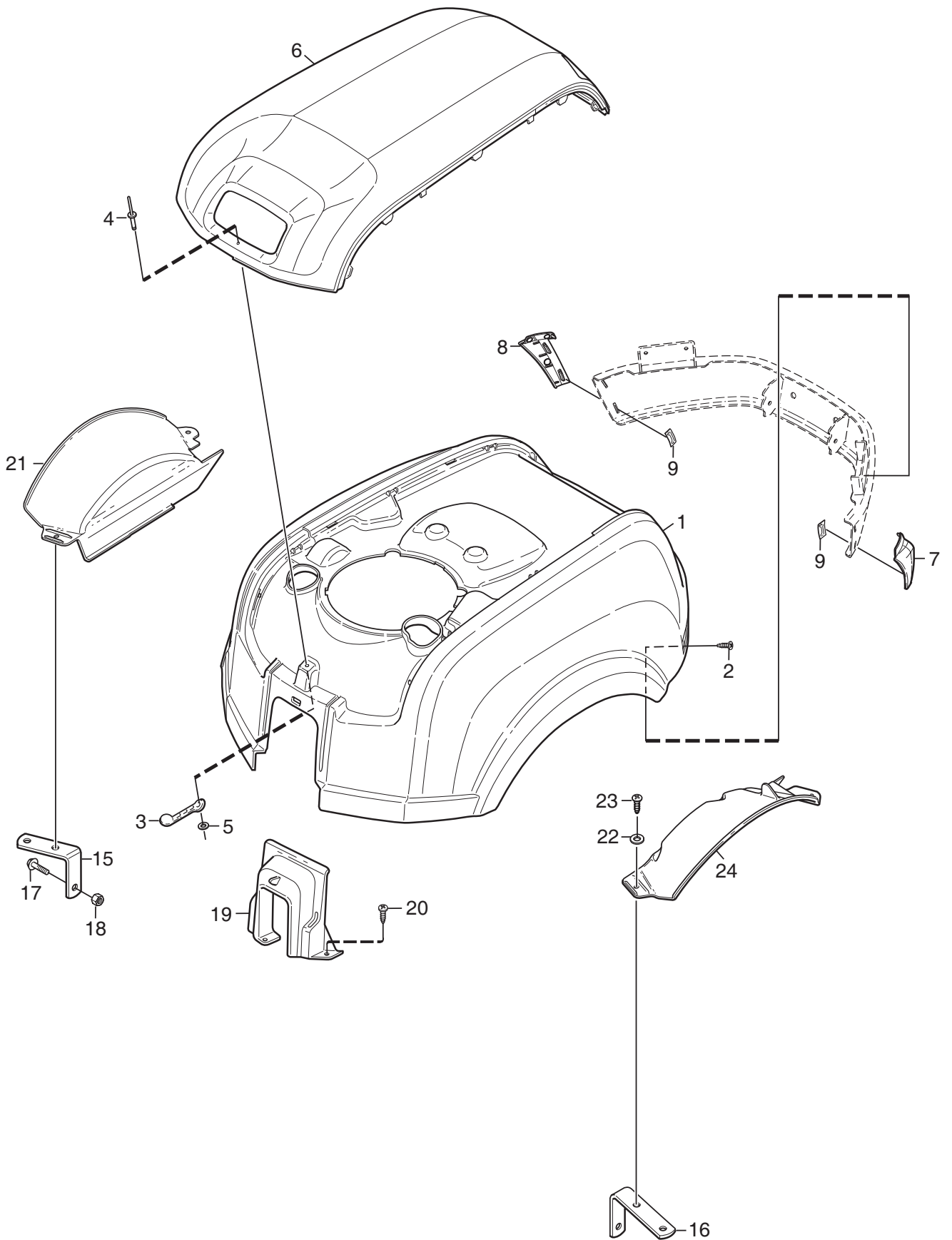
All rights reserved. No part of this material may be reproduced or transmitted, in any form or by any means, electronic or mechanical, including photocopying, recording or by any information storage and retrieval system, without permission in writing from GLOBAL GARDEN PRODUCTS.



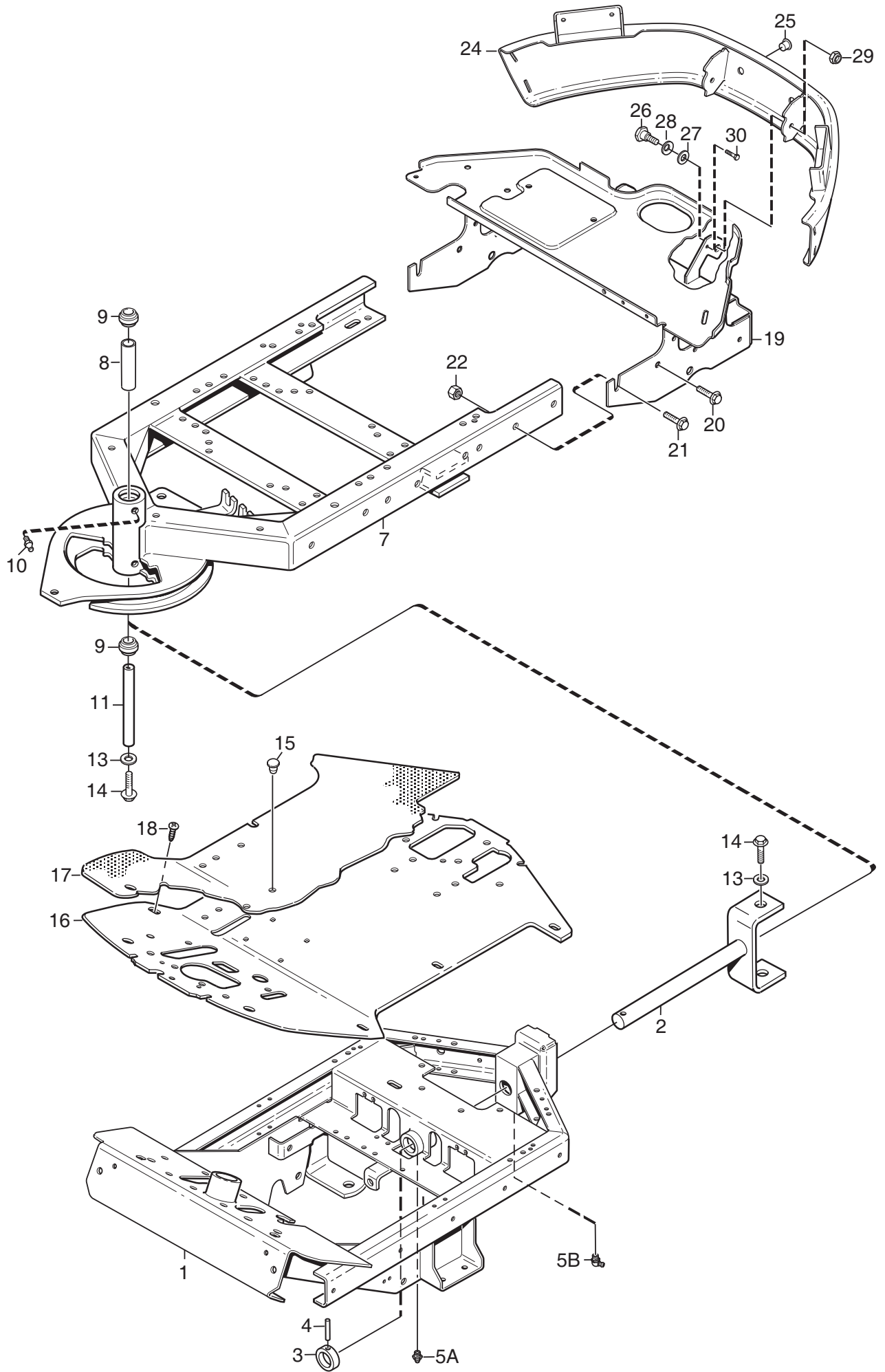
Ausgabe Issue		Bild Nr Picture No		XKH4 165HD- XKH4 180HD MONTAGETEILEN		XKH4 165HD- XKH4 180HD ASSEMBLY PARTS		Seite Page	
2010- 31		2014D						124	
Pos. Fig.	Anzahl/Quantity				Artikel Nr. Part No	Bezeichnung	Description	Satz Kit	Anmerkung Notes
	6177	6197							
4	2			9595- 0262- 00	Spannstift .....	Locating pin .....			
5A	1			9699- 0103- 02	Scheibe.....	Flat washer.....		0.5 mm	
5B	1			9699- 0114- 02	Scheibe.....	Flat washer.....		1.0 mm	
10	2			1134- 4734- 01	Zündschlüssel .....	Ignition key .....			
13	1			1134- 5512- 01	Anhängerplatte .....	Towing plate.....			
14	2			9959- 0820- 16	Schraube .....	Screw.....			
15	2			9739- 0831- 22	Mutter .....	Nut .....			
17	1			1134- 6113- 02	Batterieschrauben.....	Battery screws .....			
18	2			9898- 1035- 16	Schraube .....	Screw.....			
19	2			9739- 1031- 22	Mutter .....	Nut .....			
X 31	1			8211- 0075- 00	Bedienungsanleitung .....	Owner's manual .....			
X 31	1			8211- 0613- 90	Montageanweisung .....	Assy instructions .....			
31	1			8211- 0701- 91	Sicherheitsvorschrift .....	Safety regulations .....			





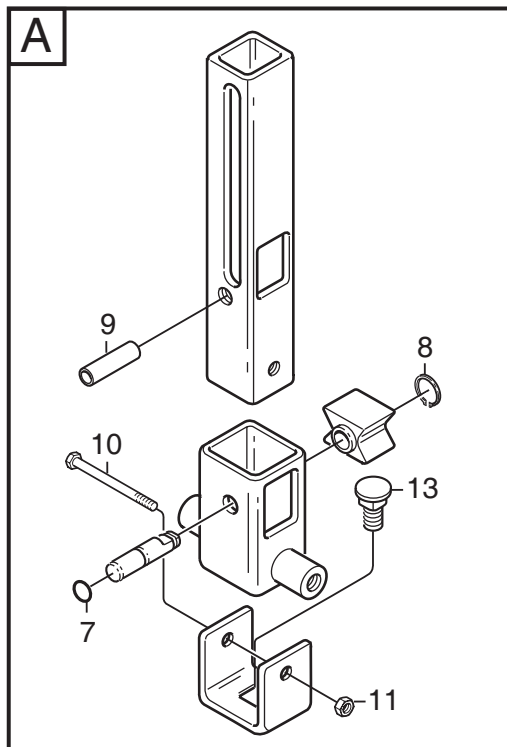
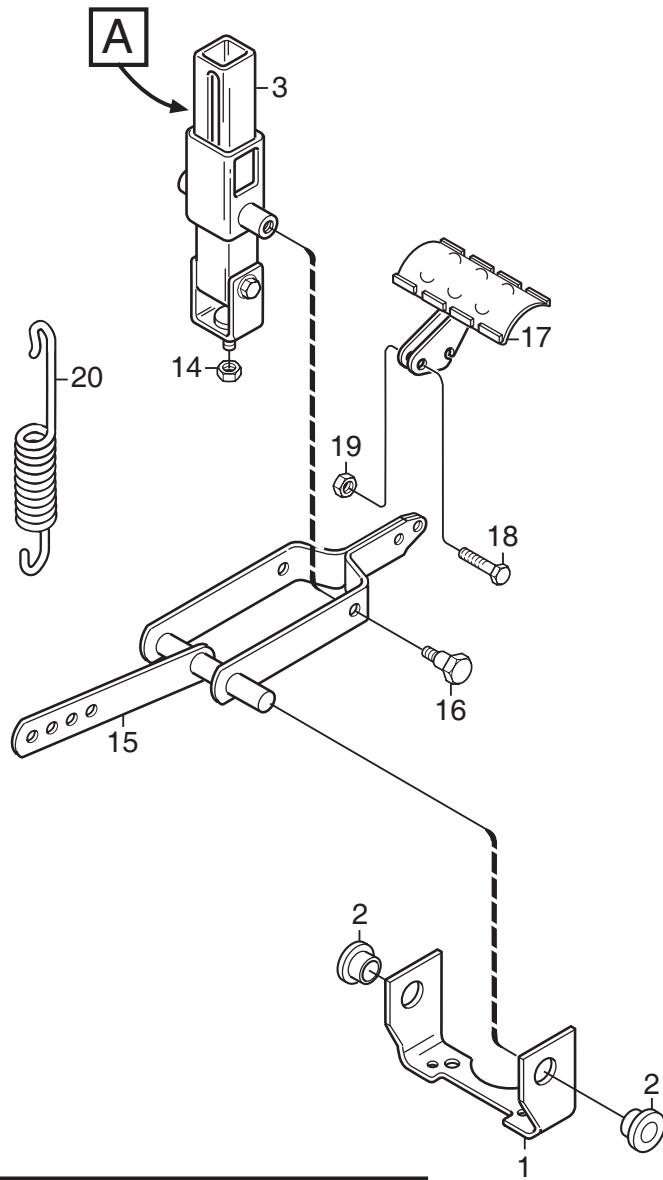


Ausgabe Issue 2010-31		Bild Nr Picture No 2016B		XKH4 165HD- XKH4 180HD KAROSSERIE- HINTEN		XKH4 165HD- XKH4 180HD BODY WORK- REAR		Seite Page 128	
Pos. Fig.	Anzahl/Quantity				Artikel Nr. Part No	Bezeichnung	Description	Satz Kit	Anmerkung Notes
	6197 6177								
X	1	1			1134- 6025- 02	Motorhaube .....	Engine hood .....		
	2	4			9893- 0616- 16	Schraube .....	Screw .....		
	3	1			1134- 2143- 01	Gummistropp .....	Rubber strap .....		
	4	1			9632- 0513- 00	Niet .....	Pop rivet .....		
	5	1			9699- 0120- 02	Scheibe .....	Washer .....		
X	6	1			1134- 6026- 02	Motordeckel .....	Engine cover .....		
X	7	1			1134- 6027- 03	Stoßfängerende- L .....	Bumper end- LH .....		
X	8	1			1134- 6027- 04	Stoßfängerende- R .....	Bumper end- RH .....		
	9	4			1134- 6310- 01	Klemme .....	Clips .....		
	15	1			1134- 4012- 03	Stützkonsole- R .....	Support- RH .....		
	16	1			1134- 4012- 04	Stützkonsole- L .....	Support- LH .....		
	17	1			9959- 0820- 16	Schraube .....	Screw .....		
	18	1			9739- 0831- 22	Mutter .....	Nut .....		
	19	1			1134- 6241- 01	Haubenstütz .....	Hood support .....		
	20	3			9893- 0616- 16	Schraube .....	Screw .....		
	21	1			1134- 4800- 01	Kotflügel- R .....	Inner mud guard- RH .....		
	22	4			9699- 0060- 02	Scheibe .....	Flat washer .....		
	23	4			9893- 0616- 16	Schraube .....	Screw .....		
	24	1			1134- 4801- 01	Kotflügel- L .....	Inner mud guard- LH .....		

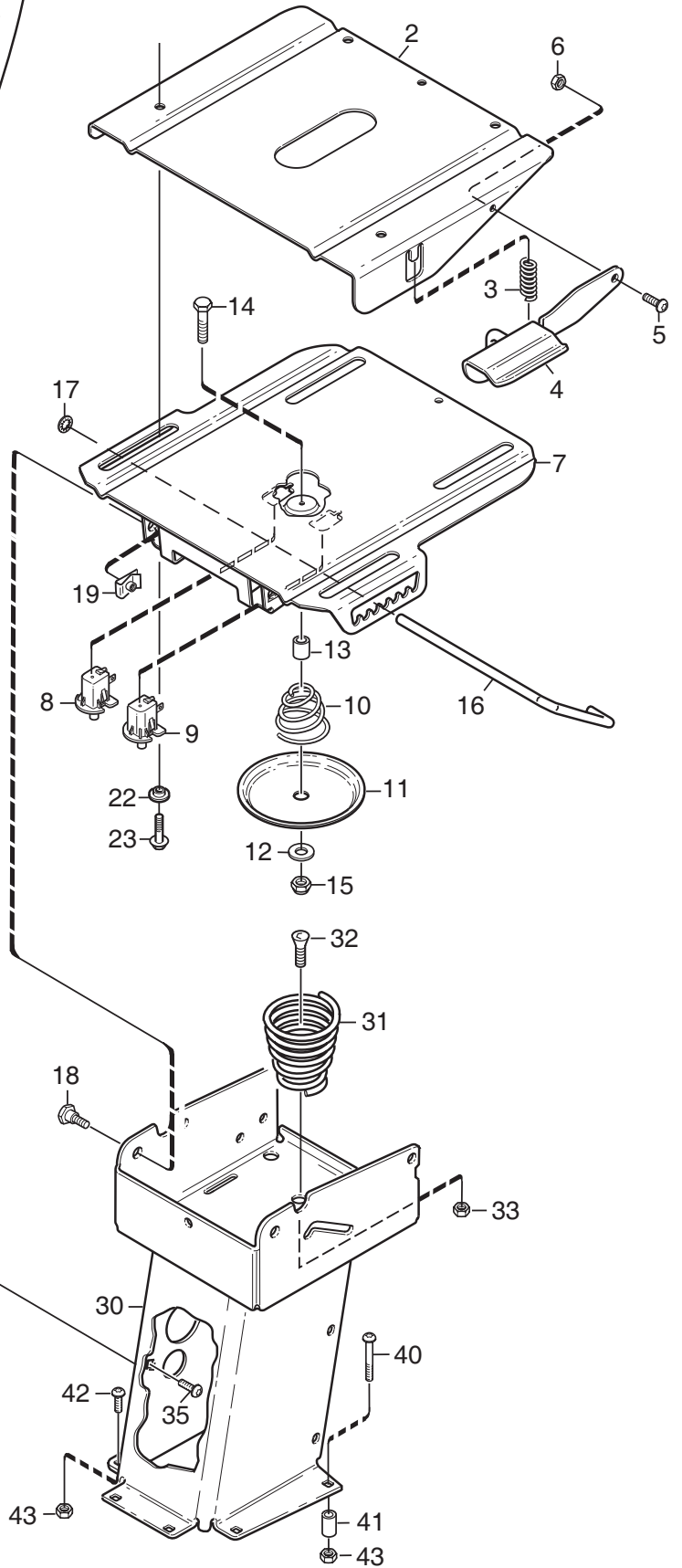
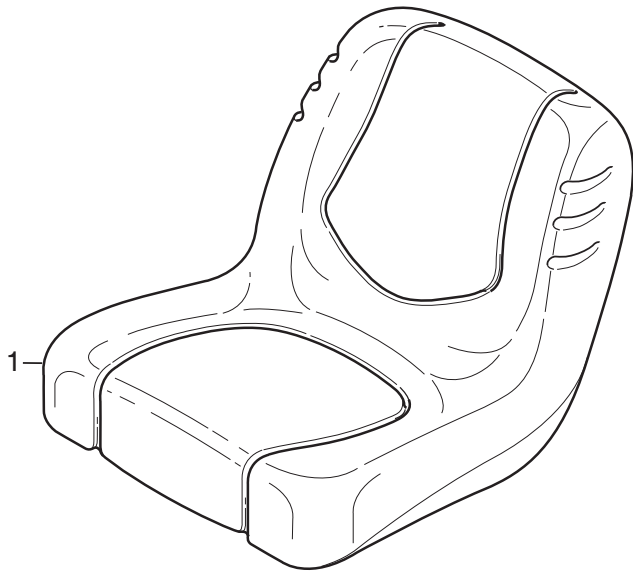




Ausgabe Issue 2010-31		Bild Nr Picture No 2033B		XKH4 165HD- XKH4 180HD RAHMEN		XKH4 165HD- XKH4 180HD FRAME		Seite Page 130	
Pos. Fig.	Anzahl/Quantity				Artikel Nr. Part No	Bezeichnung	Description	Satz Kit	Anmerkung Notes
	6197								
X	1	1			1137-0100-01	Rahmen- vordere .....	Frame- front .....		Straight 90°
	2	1			1134-3963-02	• Gabel .....	• Clevis .....		
	3	1			1134-0031-00	• Lenkachsenanschlag .....	• Pivot shaft stop .....		
	4	1			9595-0262-00	• Spannstift .....	• Locating pin .....		
	5A	1			9501-0500-00	• Schmiernippel .....	• Grease joint .....		
X	5B	1			9501-0504-01	• Schmiernippel .....	• Grease joint .....		
	7	1			1134-6466-01	Rahmen- hintere .....	Frame- rear .....		
	8	1			1134-5705-01	• Distanz .....	• Spacer .....		
	9	2			9547-0001-00	• Lager .....	• Bearing .....		
	10	2			9501-0500-00	• Schmiernippel .....	• Grease joint .....		
	11	1			1134-5988-01	Zentrumachse .....	Centre shaft .....		
	13	2			9699-0035-02	Scheibe .....	Flat washer .....		
	14	2			9959-1025-16	Schraube .....	Screw .....		
	15	2			9403-0048-70	Propfen .....	Plug .....		
	16	1			1134-6586-01	Bodenblech .....	Floor plate .....		
	17	1			1134-6372-04	Bodenblechmatte .....	Floor mat .....		
	18	2			9893-0616-16	Schraube .....	Screw .....		
	19	1			1134-5944-01	Tankregal .....	Tank shelf .....		
	20	2			9945-0816-16	Schraube .....	Screw .....		
	21	2			9959-0820-16	Schraube .....	Screw .....		
	22	2			9739-0831-22	Mutter .....	Nut .....		
X	24	1			1134-5676-03	Stoßfänger .....	Bumper .....		
	25	2			1134-4100-01	Pfropfen .....	Plug .....		
	26	2			1134-0240-00	Ansatzbolzen .....	Shoulder screw .....		
	27	2			1134-4242-01	Distanzscheibe .....	Spacer washer .....		
	28	2			9665-0002-00	Tellerscheibe .....	Bowed washer .....		
	29	2			9747-0831-02	Mutter .....	Lock nut .....		
	30	2			9943-0516-16	Schraube .....	Screw .....		

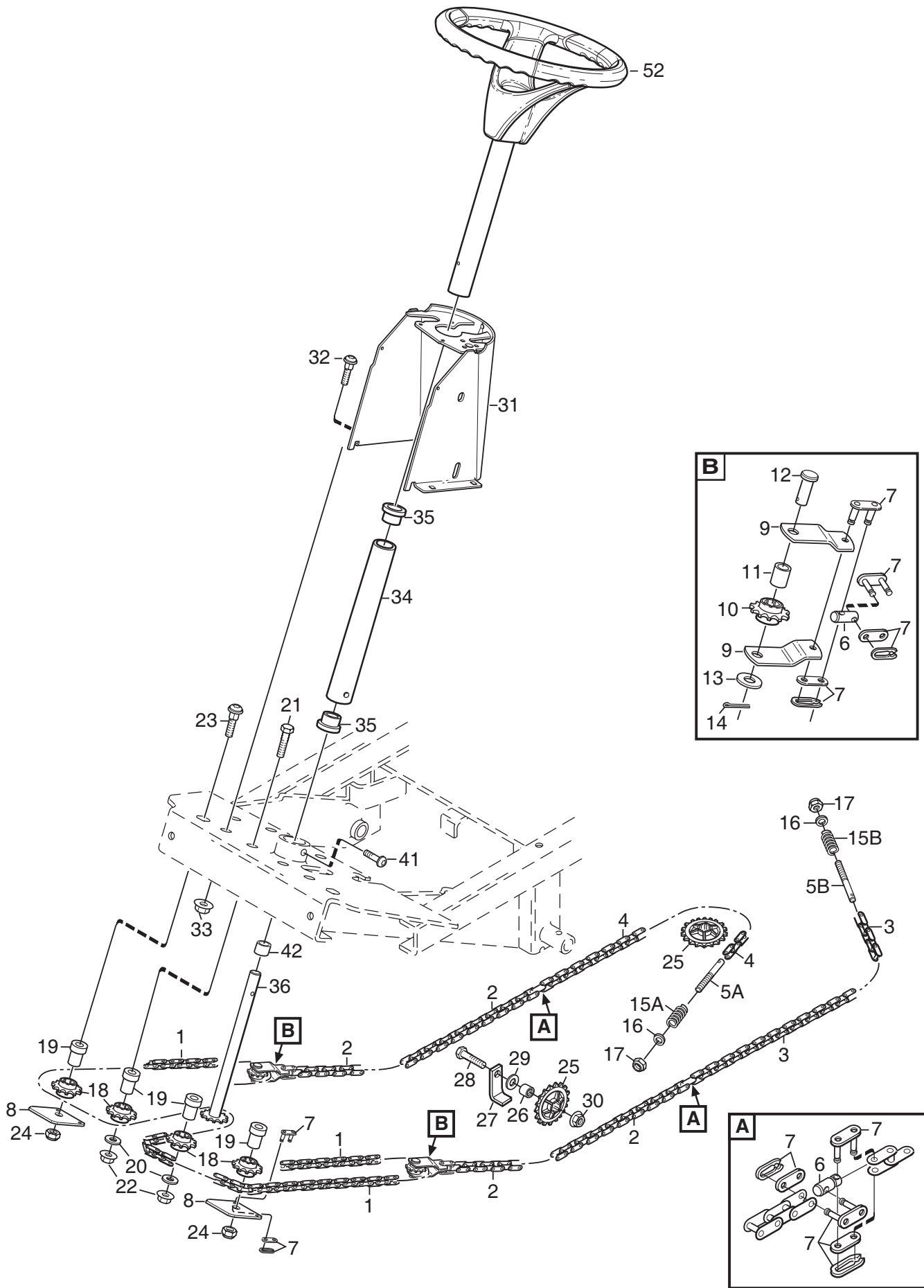


Ausgabe Issue 2010-31		Bild Nr Picture No 1023D		XKH4 165HD- XKH4 180HD PEDALHEBER		XKH4 165HD- XKH4 180HD PEDAL LIFT		Seite Page 132	
Pos. Fig.	Anzahl/Quantity				Artikel Nr. Part No	Bezeichnung	Description	Satz Kit	Anmerkung Notes
	6197 6177								
1	1				1134-4117-01 Halterung.....	Bracket.....			
2	2				1134-2684-01 Lager.....	Bearing.....			
3	1				1134-4945-01 Hebesperre Kpl.....	Lift catch assy.....			
7	1				9404-0027-01 • O- ring.....	• O- ring.....			
8	1				9650-0039-04 • Schließring.....	• Lock ring.....			
9	1				9595-0276-01 • Spannstift.....	• Locating pin.....			
10	1				9997-0640-12 • Schraube.....	• Screw.....			
11	1				9747-0631-02 • Mutter.....	• Lock nut.....			
13	1				9897-0820-16 • Schraube.....	• Screw.....			
14	1				9747-0831-02 Mutter.....	Lock nut.....			
15	1				1134-4860-01 Hebegabel.....	Lift fork.....			
16	2				1134-0240-00 Ansatzbolzen.....	Shoulder screw.....			
17	1				1134-4938-01 Hebepedal.....	Lift pedal.....			
18	2				9997-0625-16 Schraube.....	Screw.....			
19	2				9739-0631-22 Mutter.....	Nut.....			
20	1				4231-0013-00 Feder.....	Spring.....			

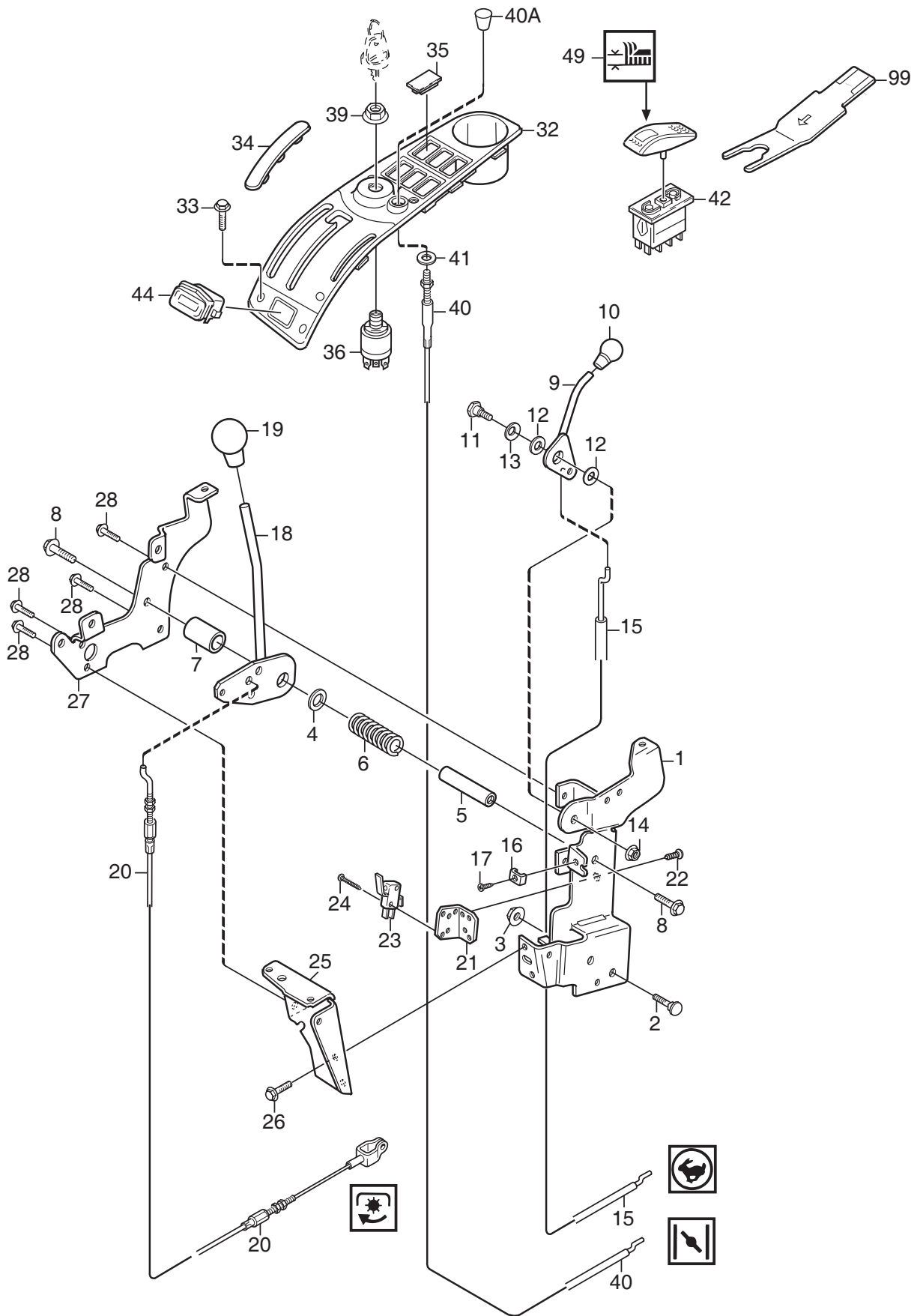


C201

Ausgabe Issue 2010-31		Bild Nr Picture No C201		XKH4 165HD- XKH4 180HD SITZ		XKH4 165HD- XKH4 180HD SEAT		Seite Page 134	
Pos. Fig.	Anzahl/Quantity				Artikel Nr. Part No	Bezeichnung	Description	Satz Kit	Anmerkung Notes
	6197 6177								
1	1				1134-5534-01	Sitz .....	Seat .....		
2	1				1134-6090-01	Gleitplatte .....	Slide plate .....		
3	1				1134-3262-01	Druckfeder .....	Compression spring .....		
4	1				1134-6073-01	Griff .....	Handle .....		
5	1				9893-0616-16	Schraube .....	Screw .....		
6	1				9747-0631-02	Mutter .....	Lock nut .....		
7	1				1134-6068-01	Gleitplatte- untere .....	Slide plate- lower .....		
8	1				1134-3156-01	Schalter (schw) .....	Switch (black) .....		
9	1				1134-3156-02	Schalter (grau) .....	Switch (grey) .....		
10	1				1134-5302-01	Feder .....	Spring .....		
11	1				1134-5299-01	Druckplatte .....	Push plate .....		
12	1				9699-0090-02	Scheibe .....	Flat washer .....		
13	1				1134-1565-06	Distanz .....	Spacer .....		
14	1				9997-0840-16	Schraube .....	Screw .....		
15	1				9747-0831-02	Mutter .....	Lock nut .....		
16	1				1134-5179-01	Sperre .....	Catch .....		
17	1				9675-0012-02	Verriegelungsscheibe .....	Locking washer .....		
18	2				1134-0240-00	Ansatzbolzen .....	Shoulder screw .....		
19	2				1134-4620-02	Feder Mutter .....	Spring nut .....		
22	4				1134-6078-01	Flanschscheibe .....	Flange washer .....		
23	4				9959-0820-16	Schraube .....	Screw .....		
X 30	1				1134-5698-03	Sitzkonsole .....	Seat bracket .....		
31	1				1134-4256-01	Sitzfeder .....	Seat spring .....		
32	1				9924-1235-19	Schraube .....	Screw .....		
33	1				9747-1231-02	Mutter .....	Lock nut .....		
X 34	1				1134-3990-06	Halter- Seitenpanel .....	Attachment- side panel .....		
35	2				9897-0820-16	Schraube .....	Screw .....		
36	2				9739-0831-22	Mutter .....	Nut .....		
X 37	1				1134-4130-06	Deckel- untere .....	Cover- lower .....		
38	4				9840-8013-16	Schraube .....	Screw .....		
40	2				9897-0880-12	Schraube .....	Screw .....		
41	2				1134-1565-08	Distanz .....	Spacer .....		
42	4				9897-0820-16	Schraube .....	Screw .....		
43	6				9747-0831-02	Mutter .....	Lock nut .....		



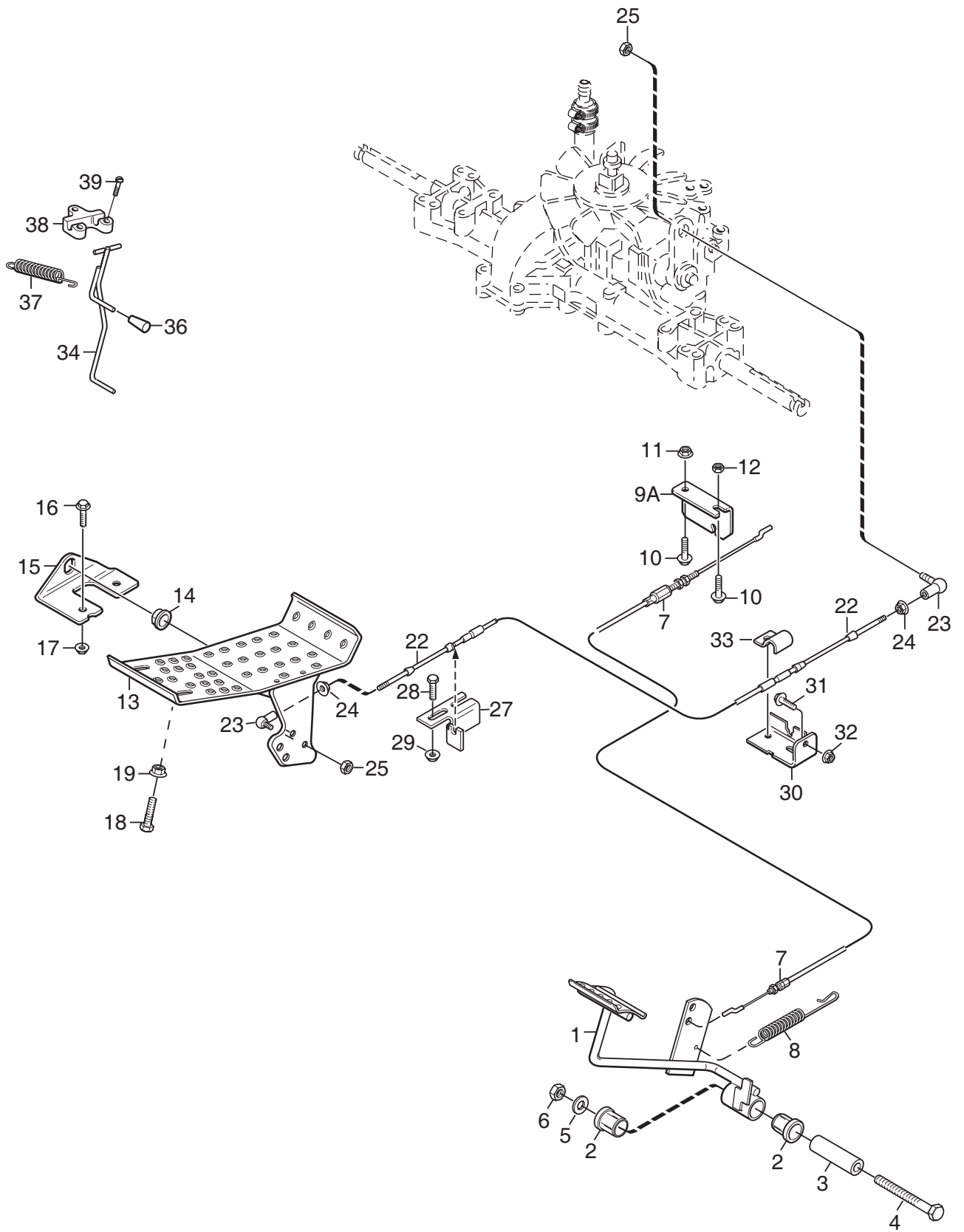
Ausgabe Issue 2010-31		Bild Nr Picture No C202		XKH4 165HD- XKH4 180HD LENKUNG		XKH4 165HD- XKH4 180HD STEERING		Seite Page 136	
Pos. Fig.	Anzahl/Quantity				Artikel Nr. Part No	Bezeichnung	Description	Satz Kit	Anmerkung Notes
	6197								
	6177								
					1134-6374-10	Kette .....	Chain .....		129 link
					1134-6374-09	Kette .....	Chain .....		35 link
					1134-6374-02	Kette .....	Chain .....		41 link
					1134-6374-05	Kette .....	Chain .....		47 link
					1134-3550-01	Schraubenippel.....	End nipple .....		L = 110 mm
					1134-3550-02	Schraubenippel.....	End nipple .....		L = 90 mm
					1134-3565-01	Verbindungsrippel.....	Connection nipple .....		
					1134-2824-02	Kettenschloß.....	Chain lock .....		
					1134-5652-01	Halter .....	Attachment.....		
					1134-5651-01	Bügel .....	Bracket.....		
					1134-2816-01	Kettenrad .....	Sprocket.....		
					1134-0041-02	Hülse .....	Idler wheel bush.....		
					1134-4817-01	Zapfen .....	Pin .....		
					9699-0035-02	Scheibe.....	Flat washer.....		
					9599-0054-02	Splint .....	Cotter pin .....		
					1134-3817-01	Druckfeder.....	Compression spring.....		L = 58 mm
					1134-3817-02	Druckfeder.....	Compression spring.....		L = 33 mm
					9699-0090-02	Scheibe.....	Flat washer.....		
					9747-0831-02	Mutter .....	Lock nut .....		
					1134-2816-01	Kettenrad .....	Sprocket.....		
					1134-5653-01	Distanz.....	Spacer.....		
					9699-0035-02	Scheibe.....	Flat washer.....		
					9997-1060-12	Schraube .....	Screw.....		
					9739-1031-22	Mutter .....	Nut .....		
					9897-1060-12	Schraube .....	Screw.....		
					9731-1031-22	Mutter .....	Nut .....		
					1134-3547-01	Kettenrad .....	Sprocket.....		
					1134-0041-01	Hülse .....	Bushing.....		
					1134-0046-00	Drahthalter.....	Wire clamp.....		
					9997-1040-16	Schraube .....	Screw.....		
					9699-0035-02	Scheibe.....	Flat washer.....		
					9739-1031-22	Mutter .....	Nut .....		
					1134-5349-05	Lenkkonsole- grau .....	Steering console- grey .....		
					9897-0820-16	Schraube .....	Screw.....		
					9739-0831-22	Mutter .....	Nut .....		
					1134-1305-05	Lenkrohr- untere .....	Steering column- lower .....		
					1134-1901-01	Lager .....	Bearing.....		
X					1137-0079-04	Lenkstange .....	Steering rod .....		
					9893-0616-16	Schraube .....	Screw.....		
					1134-2837-03	Distanz.....	Spacer.....		
X					1134-5496-03	Lenkrad .....	Steering wheel .....		



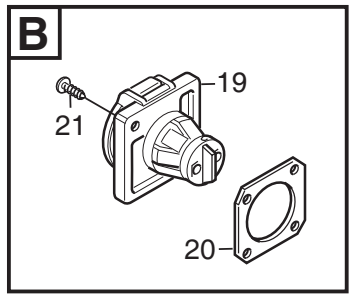
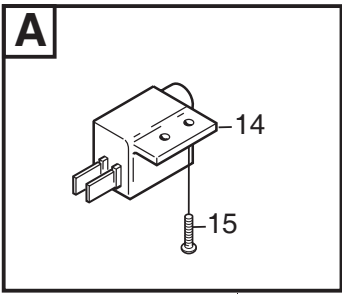
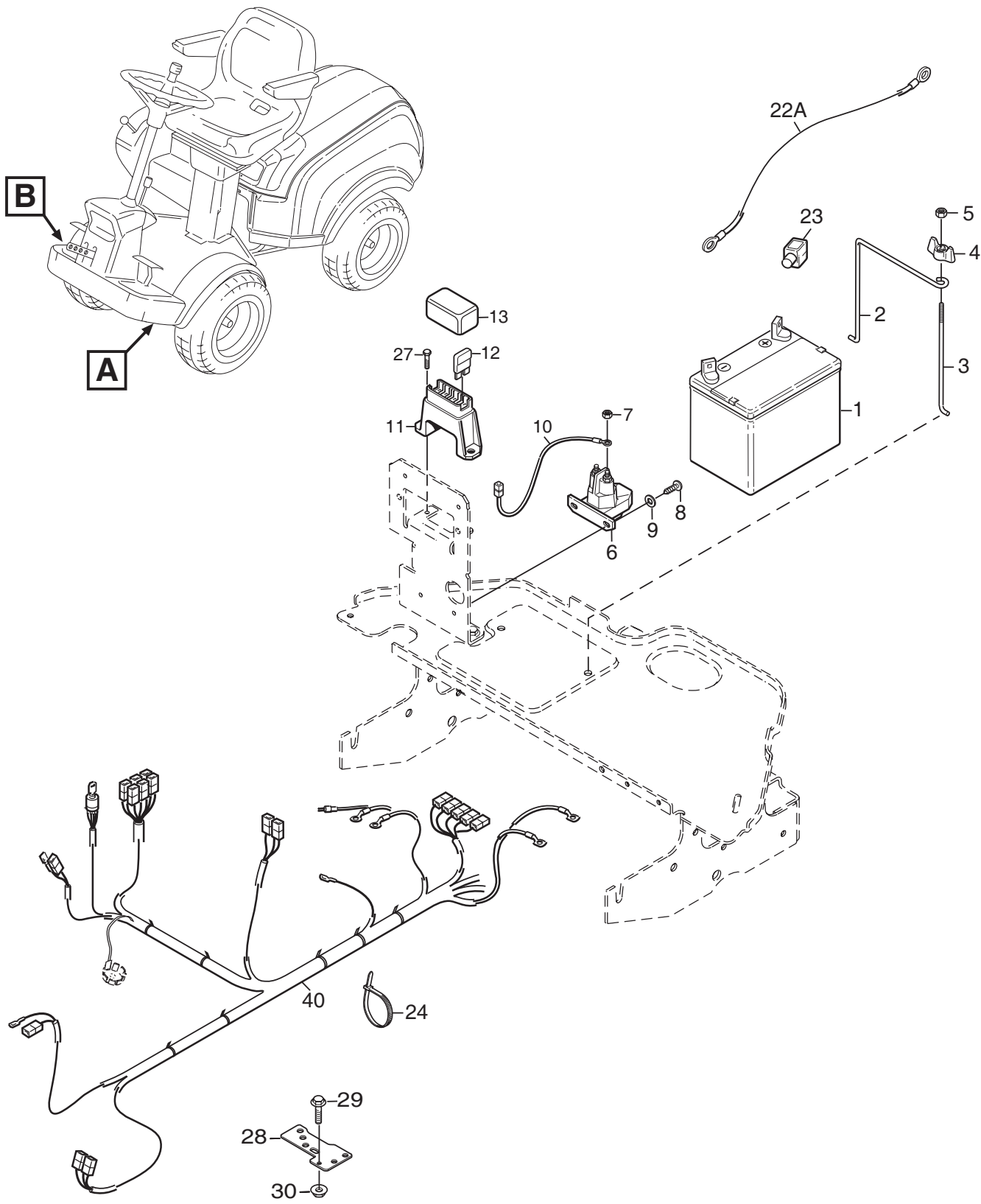


Ausgabe Issue 2010-31		Bild Nr Picture No 1991F		XKH4 165HD- XKH4 180HD HANDBEDIENELEMENTE		XKH4 165HD- XKH4 180HD HAND CONTROLS		Seite Page 138	
Pos. Fig.	Anzahl/Quantity			Artikel Nr. Part No	Bezeichnung	Description	Satz Kit	Anmerkung Notes	
	6177	6197							
1	1	1		1134-4156-01	Panelhalterung- innere.....	Panel bracket- inner .....			
2	2	2		9897-0820-16	Schraube .....	Screw .....			
3	2	2		9739-0831-22	Mutter .....	Nut .....			
4	1	1		9695-0011-00	Scheibe.....	Washer.....			
5	1	1		1134-4065-01	Regulierachse.....	Control shaft .....			
6	1	1		1134-4079-01	Feder .....	Spring .....			
7	1	1		1134-4080-03	Regulierhülse.....	Control sleeve .....			
8	2	2		9959-0820-16	Schraube .....	Screw .....			
9	1	1		1134-4077-01	Gasregulierung .....	Throttle control .....			
10	1	1		1134-4078-01	Knopf.....	Knob .....			
11	1	1		1134-0240-00	Ansatzbolzen .....	Shoulder screw .....			
12	2	2		1134-4242-01	Distanzscheibe.....	Spacer washer .....			
13	1	1		9694-0001-00	Scheibe.....	Washer.....			
14	1	1		9747-0831-02	Mutter.....	Lock nut .....			
15		1		1134-4195-01	Gasdrahtseil.....	Throttle cable .....		L1 = 1413 mm	
15	1			1134-4197-01	Gasdrahtseil.....	Throttle cable .....		L1 = 925 mm	
16	1	1		9500-9991-00	Drahtklemme .....	Cable clamp .....			
17	1	1		9943-0516-16	Schraube .....	Screw .....			
18	1	1		1134-4072-01	Regulierhebel.....	Control lever .....			
19	1	1		1134-2551-01	Knopf.....	Knob .....			
20	1	1		1134-3573-03	Drahtseil .....	PTO cable .....			
21	1	1		1134-5358-01	Schalthalterung .....	Switch bracket .....			
22	2	2		9852-8013-16	Schraube .....	Screw .....			
23	1	1		9400-0360-01	Mikroschalter.....	Micro switch .....			
24	2	2		9840-7716-16	Schraube .....	Screw .....		L = 16 mm	
25	1	1		1134-6328-01	Panelhalter- vorne.....	Panel bracket- front.....			
26	2	2		9893-0616-16	Schraube .....	Screw .....			
27	1	1		1134-6327-01	Vorderblech .....	Front plate.....			
28	4	4		9893-0616-16	Schraube .....	Screw .....			
32		1		1134-6096-02	Armaturenbrett .....	Dashboard .....			
32	1			1134-6096-05	Armaturenbrett .....	Dashboard .....			
33	4	4		9946-0525-16	Schraube .....	Screw .....			
34	1	1		1134-4154-01	Deckel.....	Cover .....			
35	5	5		1134-4129-01	Deckel.....	Cover .....			
36	1	1		1134-4093-01	Zündschloß.....	Ignition switch .....			
39	1	1		1134-4749-01	Mutter.....	Nut .....			
40		1		1134-2872-03	Chokeregulierung .....	Choke control.....			
40A		1		1134-4338-01	• Chokeknopf.....	• Control knob .....			
41		1		9699-0090-02	Scheibe.....	Flat washer.....			
42	1	1		9400-0282-01	Schalter m.Diode .....	Switch w.diode.....			
44	1	1		1134-6097-01	Stundenzahlmesser .....	Hour meter.....			
45	1			1134-4100-01	Pfropfen.....	Plug .....			
49	1	1		9400-0280-03	Deckel- Höheneinstell .....	Cover- height adjust .....			
99	1	1		9400-0290-01	Werkzeug für Deckel.....	Tool for cover.....		Accessory	

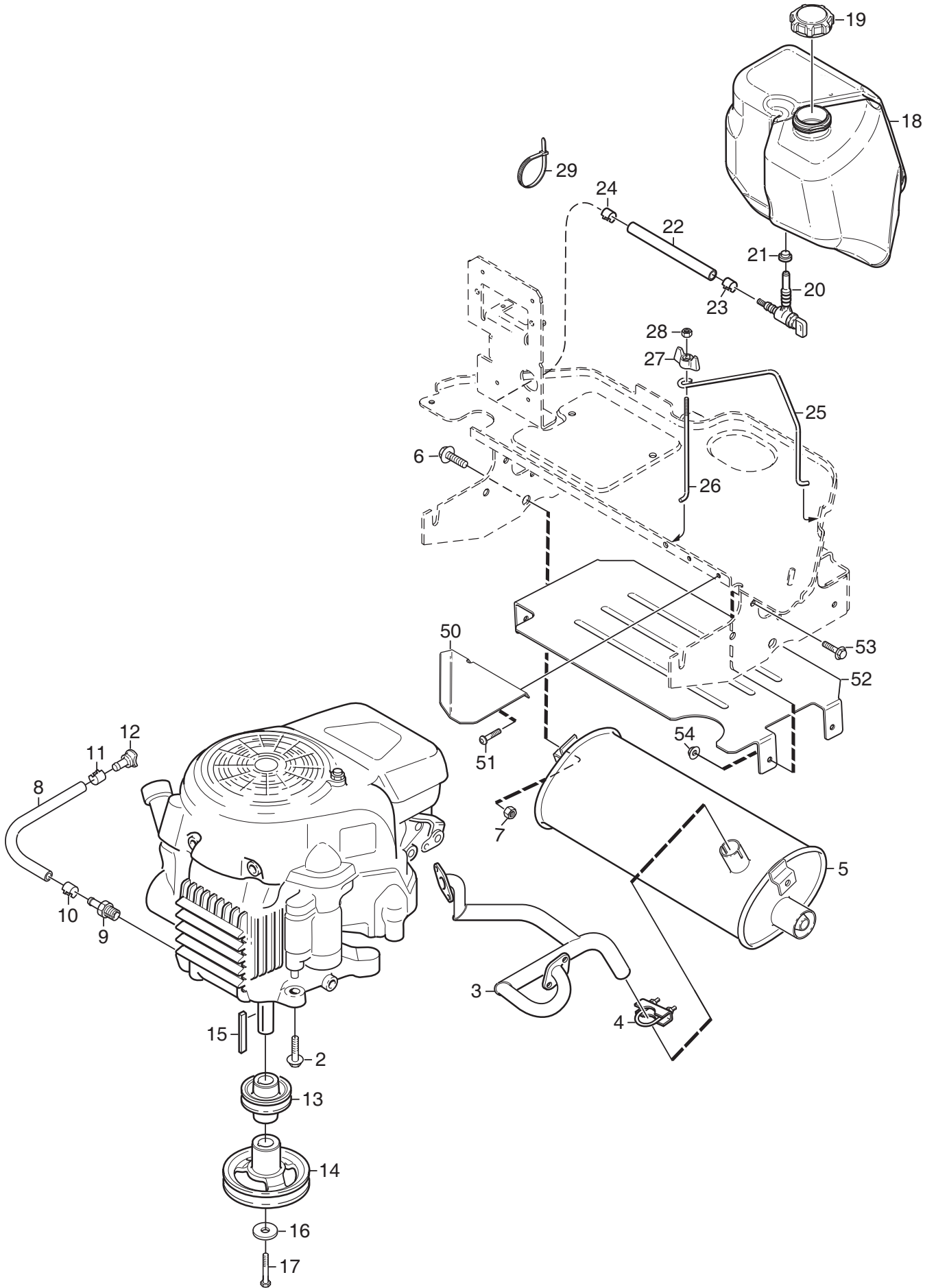
X



Ausgabe Issue 2010-31		Bild Nr Picture No C203		XKH4 165HD- XKH4 180HD FUßBEDIENELEMENTE		XKH4 165HD- XKH4 180HD FOOT CONTROLS		Seite Page 140	
Pos. Fig.	Anzahl/Quantity				Artikel Nr. Part No	Bezeichnung	Description	Satz Kit	Anmerkung Notes
	6197 6177								
1	1				1134-5655-01	Brems/Kupplungspedal .....	Brake/clutch pedal.....		
2	2				1134-0068-00	Lager .....	Bearing.....		
3	1				1134-5677-02	Distanz .....	Spacer.....		
4	1				9997-1070-12	Schraube .....	Screw.....		
5	1				9699-0030-02	Scheibe.....	Flat washer.....		
6	1				9739-1031-22	Mutter .....	Nut.....		
7	1				1134-6005-01	Draht .....	Cable.....		
8	1				4231-0013-00	Feder .....	Spring.....		
9A	1				1134-6467-01	Drahthalter.....	Cable holder.....		
10	2				9959-0820-16	Schraube .....	Screw.....		
11	1				9739-0831-22	Mutter .....	Nut.....		
12	1				9747-0831-02	Mutter.....	Lock nut.....		
13	1				1134-6353-01	Fahrpedal.....	Drive pedal.....		
14	2				1134-6313-01	Lager .....	Bearing.....		
15	2				1134-2700-01	Halter .....	Bracket.....		
16	2				9959-0820-16	Schraube .....	Screw.....		
17	2				9739-0831-22	Mutter .....	Nut.....		
18	1				9997-0835-16	Schraube .....	Screw.....		
19	1				9739-0831-22	Mutter .....	Nut.....		
22	1				1134-2766-05	Fahrtregulierdraht.....	Speed control cable.....		
23	2				9570-0001-00	Winkelgelenk .....	Elbow link.....		
24	2				9739-0531-22	Mutter .....	Nut.....		
25	2				9747-0531-02	Mutter .....	Nut.....		
27	1				1134-6317-01	Drahthalter.....	Cable holder.....		
28	2				9959-0620-16	Schraube .....	Screw.....		
29	2				9739-0631-22	Mutter .....	Nut.....		
30	1				1134-3395-01	Halterung.....	Attachment.....		
31	2				9959-0820-16	Schraube .....	Screw.....		
32	2				9739-0831-22	Mutter .....	Nut.....		
33	1				1134-2021-01	Klemme .....	Clamp.....		
34	1				1134-5353-01	Bremsstange .....	Brake rod.....		
36	1				1134-2786-01	Plastikknopf.....	Plastic knob.....		
37	1				1131-1497-01	Feder .....	Spring.....		
38	1				1134-4002-01	Halterung.....	Brake rod attachment.....		
39	3				9838-9516-12	Schraube .....	Screw.....		

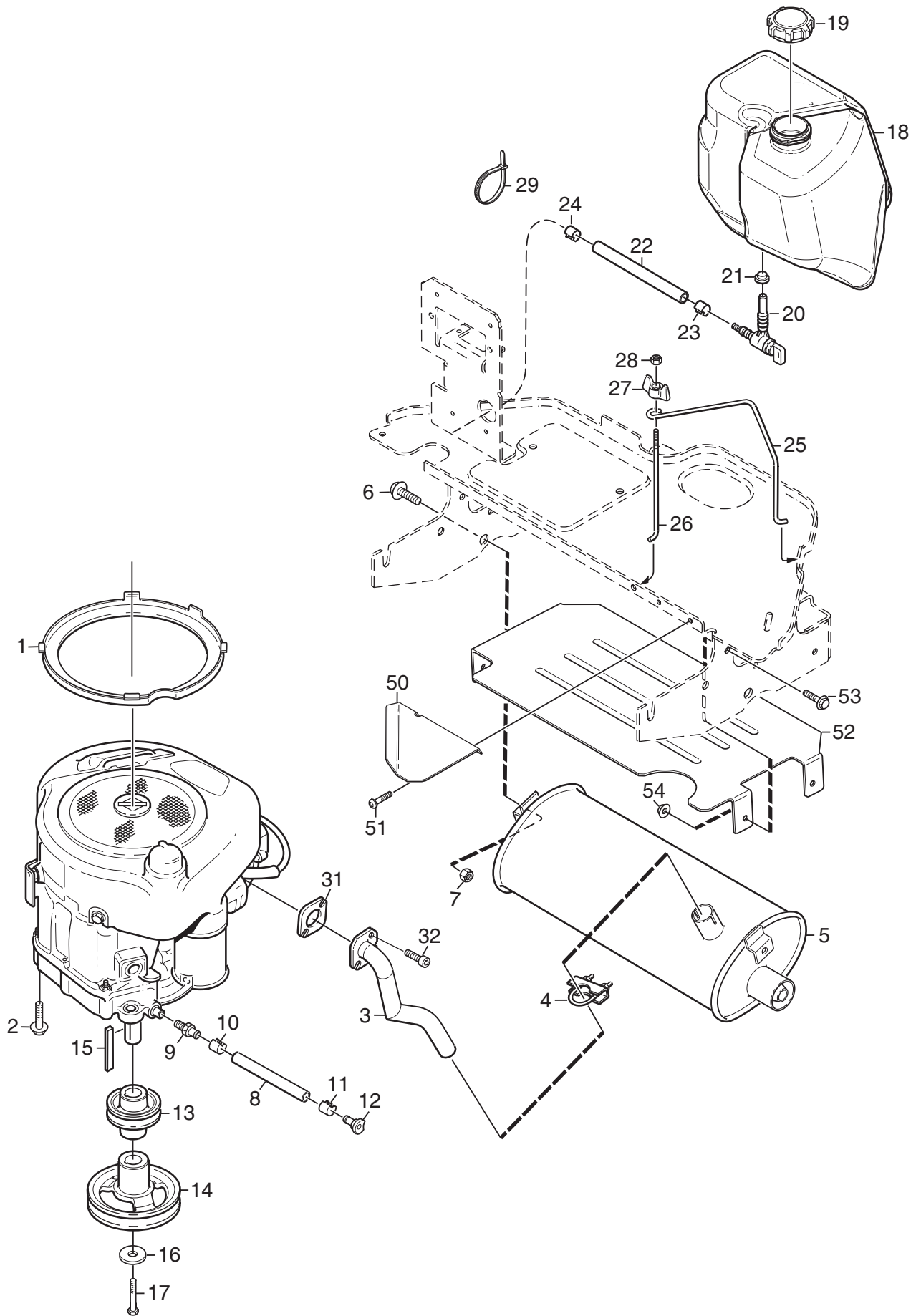


Ausgabe Issue 2010-31		Bild Nr Picture No C204		XKH4 165HD- XKH4 180HD EL. AUSSTATTUNG		XKH4 165HD- XKH4 180HD EL. EQUIPMENT		Seite Page 142	
Pos. Fig.	Anzahl/Quantity			Artikel Nr. Part No	Bezeichnung	Description	Satz Kit	Anmerkung Notes	
	6177	6197							
1	1	1		1134-5751-01	Batterie .....	Battery .....			
2	1	1		1134-5994-01	Batteriebügel .....	Battery loop.....			
3	1	1		1134-5995-01	Batteriebügel .....	Battery loop.....			
4	1	1		1134-4481-02	Flügelmutter .....	Wing nut .....			
5	1	1		9747-0631-02	Mutter .....	Lock nut .....			
6	1	1		1134-3901-01	Magnetschalter .....	Solenoid .....			
7	2	2		9794-5131-02	Mutter .....	Nut .....			
8	2	2		9852-8013-16	Schraube .....	Screw .....			
9	2	2		9699-0060-02	Scheibe .....	Flat washer.....			
10	1	1		1134-4970-02	Kabel- rot .....	Cable- red.....			
11	1	1		1134-3491-01	Sicherungshalter .....	Fuse holder .....			
12	1	1		1134-3496-01	Sicherung .....	Fuse .....		10A	
12	1	1		1134-3496-06	Sicherung .....	Fuse .....		20A	
12	1	1		1134-3496-07	Sicherung .....	Fuse .....		30A	
13	1	1		1134-3631-01	Deckel .....	Cover- fuse holder.....			
14	1	1		1134-3399-02	Schalter .....	Switch .....			
15	2	2		9943-0516-16	Schraube .....	Screw .....			
19	1	1		1134-7535-01	Kontakt .....	Female terminal.....			
20	1	1		1134-4052-01	Stützscheibe .....	Support washer.....			
21	2	2		9840-7716-16	Schraube .....	Screw .....			
22	1	1		1134-0234-02	Batteriekabel ( + ) .....	Battery cable ( + ).....			
23	1	1		1134-2310-01	Schutzkappe .....	Guard cap .....			
24	7	7		9579-0003-00	Kabelhalter .....	Cable holder .....			
27	2	2		9849-8006-16	Schraube .....	Screw .....			
28		1		1134-6454-01	Erdblech .....	Ground plate .....			
29		1		9959-0612-16	Schraube .....	Screw .....			
30		1		9739-0631-22	Mutter .....	Nut .....			
40	1			1134-6441-01	Kabelbündel .....	Harness.....		B&S	
40		1		1137-0027-01	Kabelbündel .....	Harness.....		Honda	



Ausgabe Issue 2010-31		Bild Nr Picture No 2022		XKH4 165HD MOTOR (Honda)		XKH4 165HD ENGINE (Honda)		Seite Page 144	
Pos. Fig.	Anzahl/Quantity				Artikel Nr. Part No	Bezeichnung	Description	Satz Kit	Anmerkung Notes
	6197								
2	4				9955-3725-16	Schraube .....	Screw .....		Pos 9 - 12 incl.
3	1				1134-5947-01	Auspuffrohr .....	Exhaust pipe .....		
4	1				9578-0011-01	Klemme .....	Clamp .....		
5	1				1134-6024-01	Schalldämpfer .....	Muffler .....		
6	1				9959-0820-16	Schraube .....	Screw .....		
7	1				9739-0831-22	Mutter .....	Nut .....		
8	1				1134-5827-01	Ölablaß kpl. ....	Oil drain assy .....		
9	1				1134-5825-01	• Nippel .....	• Nipple .....		
10	1				9578-0023-04	• Schlauchklemme .....	• Hose clamp .....		
11	1				1134-3499-02	• Schlauchklemme .....	• Hose clamp .....		
12	1				1134-5826-01	• Propfen .....	• Plug .....		
13	1				1134-6137-01	Motorriemenscheibe .....	Engine pulley .....		
14	1				1134-6419-01	Motorriemenscheibe .....	Engine pulley .....		
15	1				9600-0251-01	Keil .....	Key .....		
16	1				1134-5017-01	Scheibe .....	Washer .....		
17	1				9987-5332-16	Schraube .....	Screw .....		
18	1				1134-5938-01	Benzintank .....	Fuel tank .....		
19	1				1134-5532-01	Tankdeckel .....	Fuel tank cap .....		
20	1				1134-3224-01	Benzinhahn .....	Fuel shut-off valve .....		
21	1				1134-3225-01	Gummibuchse .....	Grommet .....		
22	1,1				9505-0001-01	Benzinschlauch .....	Fuel line (metre) .....	Per meter	
23	1				9578-0023-02	Schlauchklemme .....	Hose clamp .....		
24	1				9578-0023-02	Schlauchklemme .....	Hose clamp .....		
25	1				1134-5942-01	Tankbügel .....	Tank loop .....		
26	1				1134-5996-01	Tankbügel .....	Tank loop .....		
27	1				1134-4481-02	Flügelmutter .....	Wing nut .....		
28	1				9747-0631-02	Mutter .....	Lock nut .....		
29	1				9579-0003-00	Kabelhalter .....	Cable holder .....		
30	1				9893-0616-16	Schraube .....	Screw .....		
50	1				1134-6234-01	Värmeschutz .....	Heat deflector .....		
51	2				9943-0516-16	Schraube .....	Screw .....		
52	1				1134-6251-01	Värmeschutz .....	Heat deflector .....		
53	4				9959-0612-16	Schraube .....	Screw .....		
54	4				9739-0631-22	Mutter .....	Nut .....		

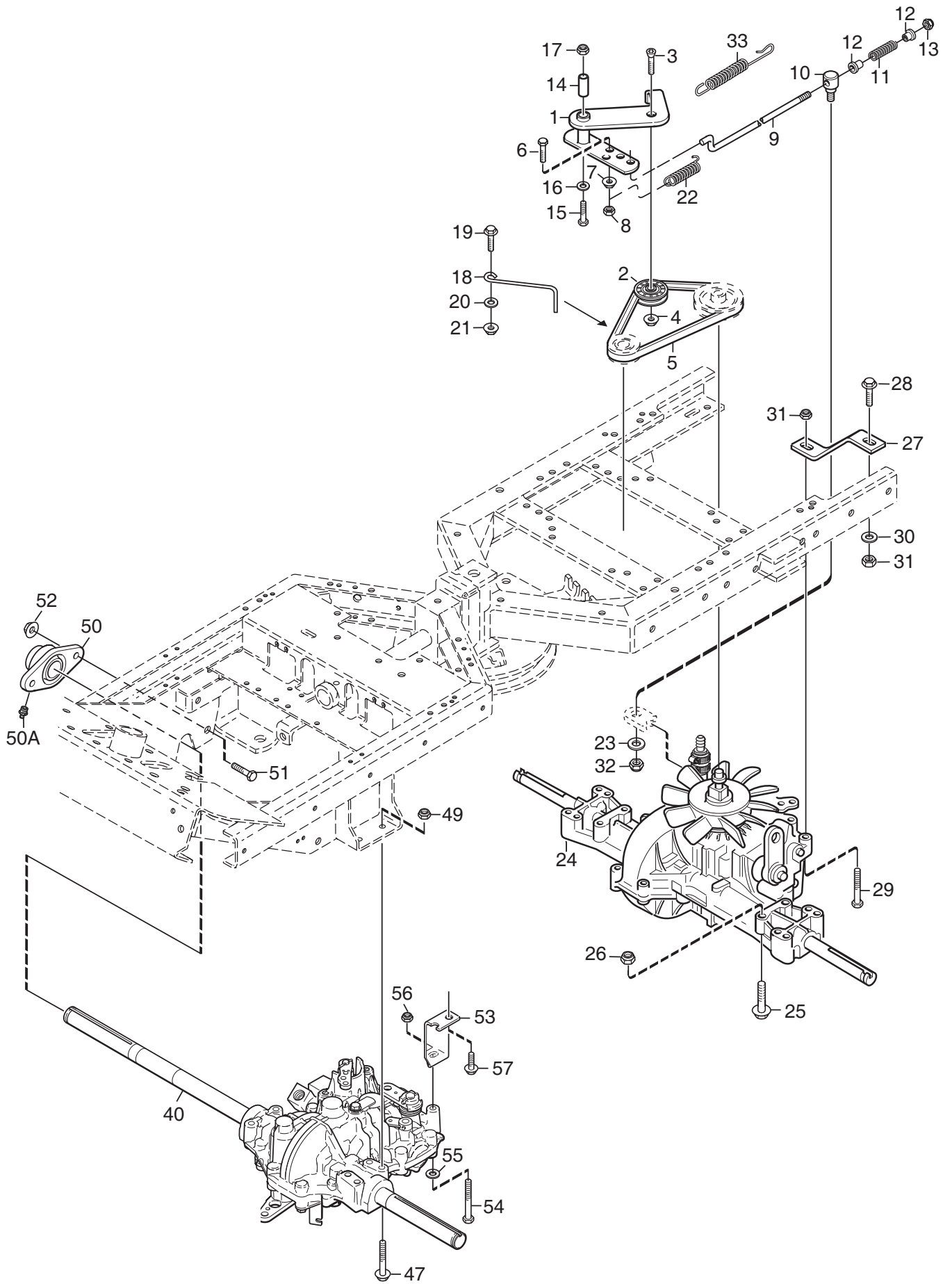
X





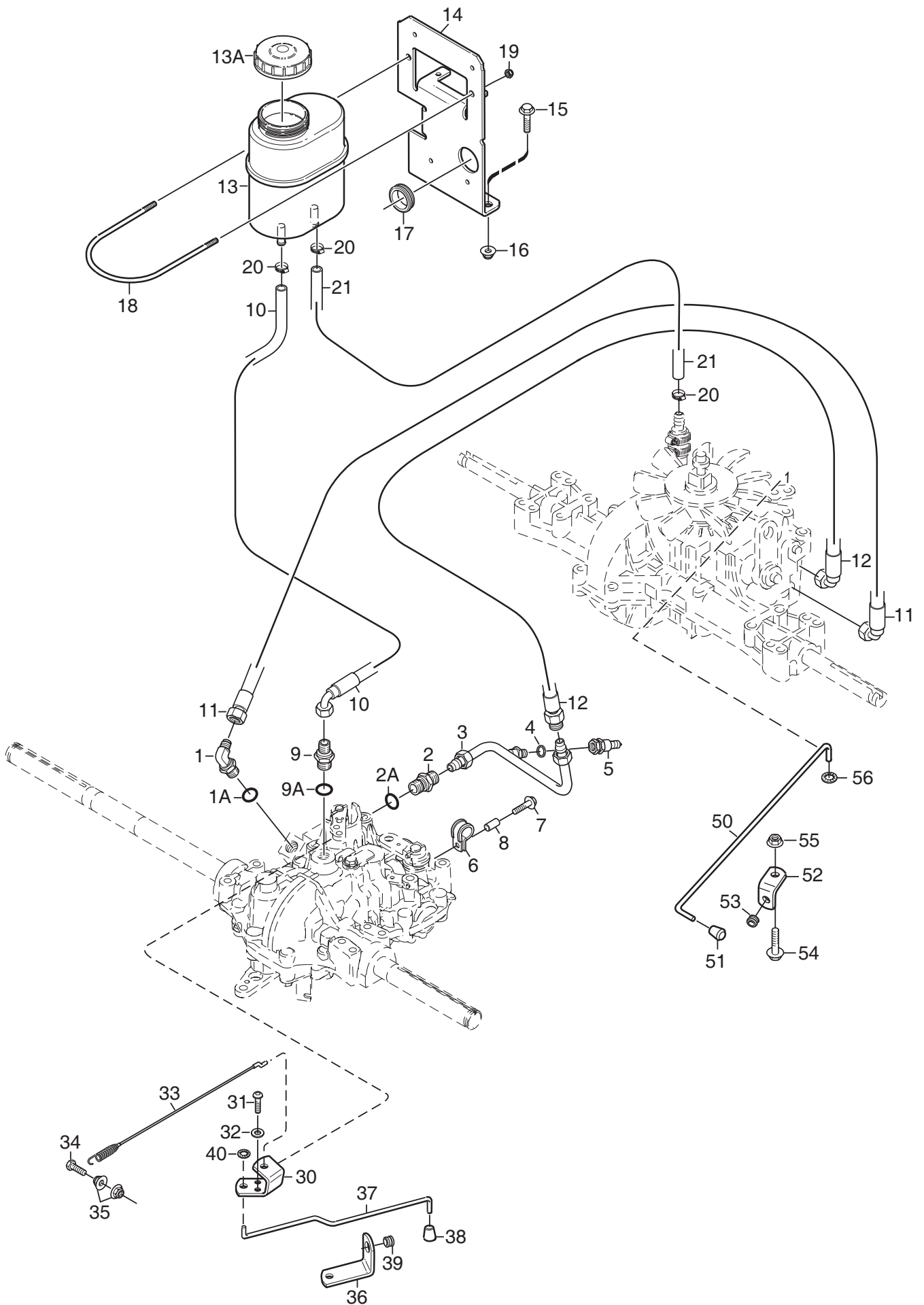
Ausgabe Issue 2010-31		Bild Nr Picture No 2021		XKH4 180HD MOTOR (Briggs & Stratton)		XKH4 180HD ENGINE (Briggs & Stratton)		Seite Page 146	
Pos. Fig.	Anzahl/Quantity				Artikel Nr. Part No	Bezeichnung	Description	Satz Kit	Anmerkung Notes
	6177								
1	1				1134-6116-02	Luftring.....	Air duct .....		
2	4				9955-3725-16	Schraube .....	Screw .....		
3	1				1134-6100-01	Auspuffrohr .....	Exhaust pipe .....		
4	1				9578-0011-01	Klemme .....	Clamp.....		
5	1				1134-6024-01	Schalldämpfer .....	Muffler .....		
6	1				9959-0820-16	Schraube .....	Screw.....		
7	1				9739-0831-22	Mutter .....	Nut .....		
8	1				1134-5827-01	Ölablaß kpl.....	Oil drain assy .....		Pos 9 - 12 incl.
9	1				1134-5825-01	• Nippel .....	• Nipple.....		
10	1				9578-0023-04	• Schlauchklemme .....	• Hose clamp .....		
11	1				1134-3499-02	• Schlauchklemme .....	• Hose clamp .....		
12	1				1134-5826-01	• Propfen.....	• Plug.....		
13	1				1134-6137-01	Motorriemenscheibe.....	Engine pulley.....		
14	1				1134-6419-01	Motorriemenscheibe.....	Engine pulley.....		
15	1				9600-0251-01	Keil .....	Key .....		
16	1				1134-5017-01	Scheibe.....	Washer.....		
17	1				9987-5332-16	Schraube .....	Screw .....		
18	1				1134-5938-01	Benzintank .....	Fuel tank .....		
19	1				1134-5532-01	Tankdeckel.....	Fuel tank cap.....		
20	1				1134-3224-01	Benzinhahn .....	Fuel shut-off valve .....		
21	1				1134-3225-01	Gummibuchse .....	Grommet.....		
22	1,1				9505-0001-01	Benzinschlauch.....	Fuel line (metre).....		Per meter
23	1				9578-0023-02	Schlauchklemme .....	Hose clamp .....		
24	1				9578-0023-02	Schlauchklemme .....	Hose clamp .....		
25	1				1134-5942-01	Tankbügel .....	Tank loop .....		
26	1				1134-5996-01	Tankbügel .....	Tank loop .....		
27	1				1134-4481-02	Flügelmutter .....	Wing nut .....		
28	1				9747-0631-02	Mutter .....	Lock nut .....		
29	1				9579-0003-00	Kabelhalter.....	Cable holder.....		
30	1				9852-8013-16	Schraube .....	Screw.....		
31	1				1134-0433-00	Schalldämpferdichtung.....	Muffler gasket.....		
32	2				1134-4930-01	Schraube .....	Screw.....		
50	1				1134-6234-01	Värmeschutz.....	Heat deflector.....		
51	2				9943-0516-16	Schraube .....	Screw.....		
52	1				1134-6251-01	Värmeschutz.....	Heat deflector.....		
53	4				9959-0612-16	Schraube .....	Screw.....		
54	4				9739-0631-22	Mutter .....	Nut.....		

X

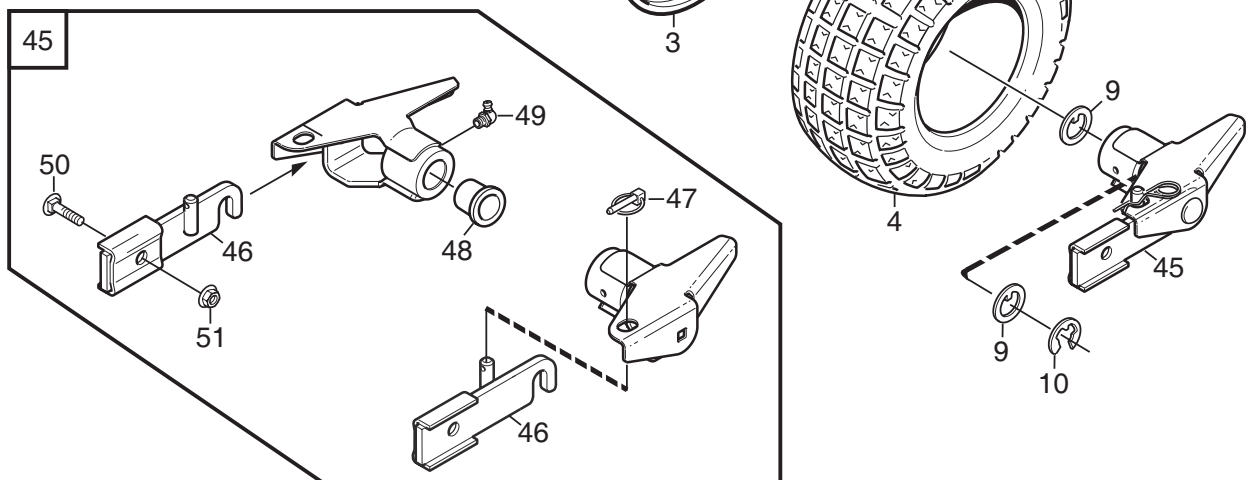
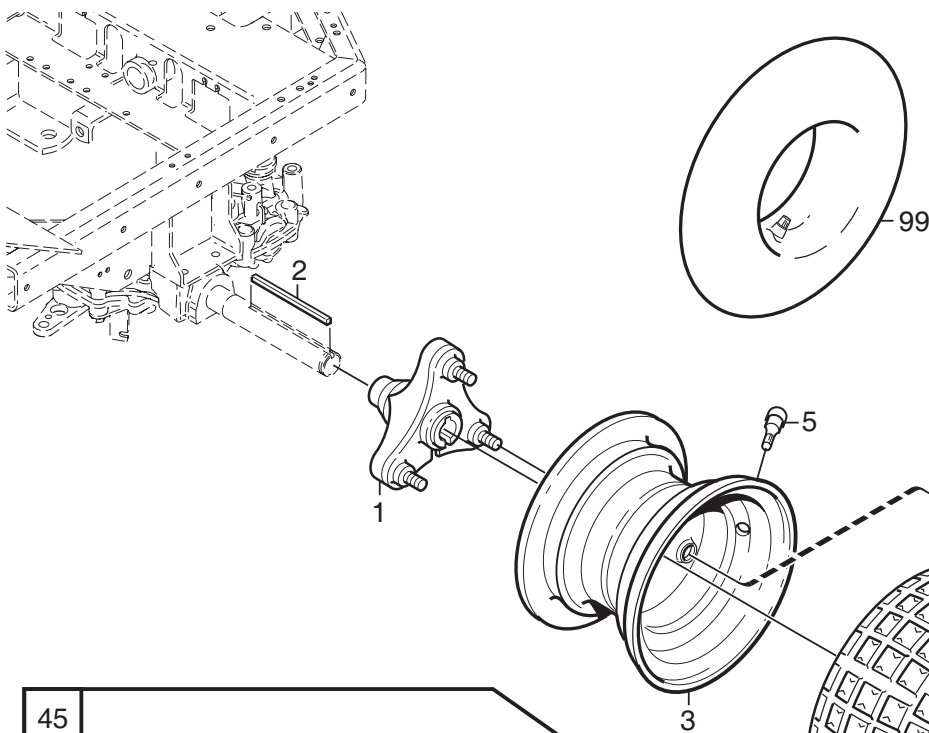
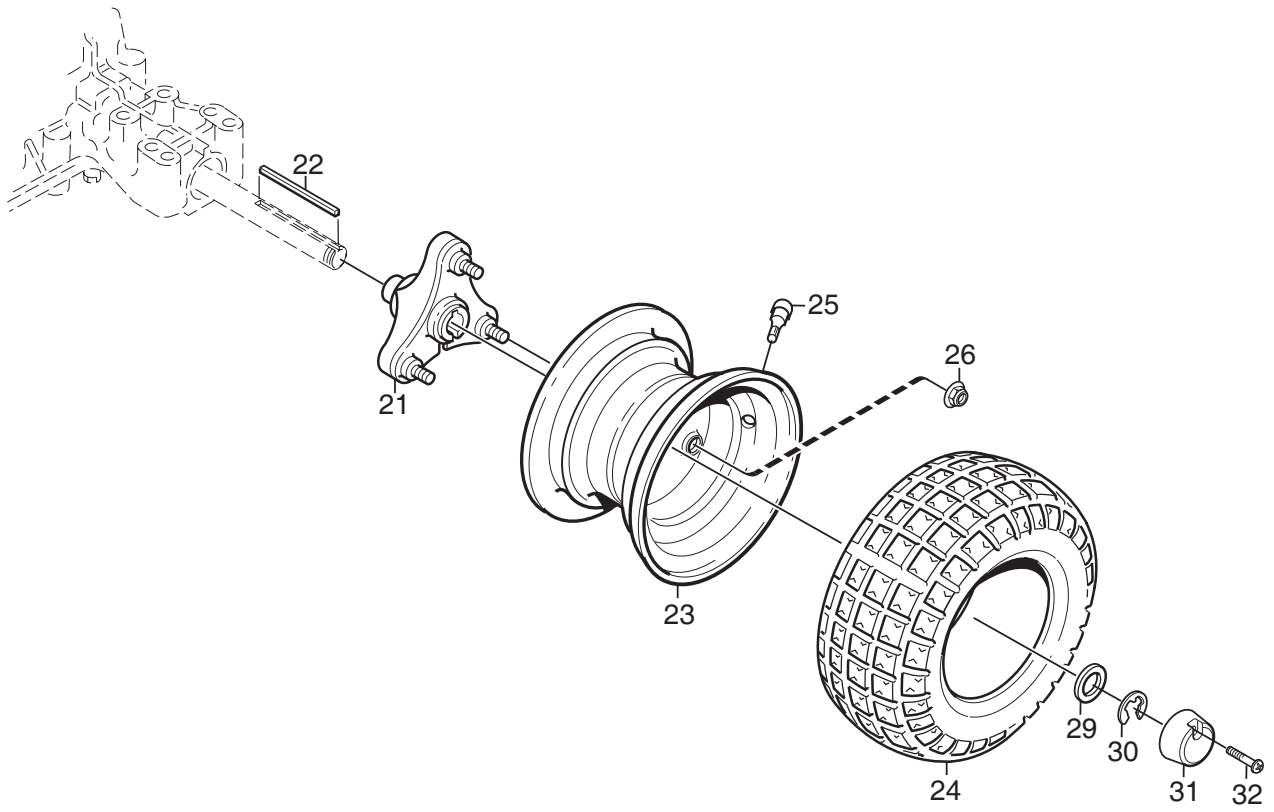


Ausgabe Issue		Bild Nr Picture No		XKH4 165HD- XKH4 180HD TRANSMISSION (Mek)		XKH4 165HD- XKH4 180HD TRANSMISSION (mech)		Seite Page	
2010-31		2038C						148	
Pos. Fig.	Anzahl/Quantity				Artikel Nr. Part No	Bezeichnung	Description	Satz Kit	Anmerkung Notes
	6197								
	6177								
1	1			1134-4000-02	Spannarm .....	Tension arm .....			
2	1			1134-3459-01	Spannrolle .....	Tension roller .....			
3	1			9924-1035-16	Schraube .....	Screw .....			
4	1			9799-1031-02	Mutter .....	Nut .....			
5	1			9585-0091-01	Keilriemen .....	V- belt.....			
6	1			9997-0625-16	Schraube .....	Screw .....			
7	1			9739-0631-22	Mutter .....	Nut .....			
8	1			9747-0631-02	Mutter .....	Lock nut .....			
9	1			1134-3377-02	Regulierstange.....	Control rod.....			
10	1			1134-4171-01	Gelenkzapfen .....	Pivot pin .....			
11	1			1134-4183-01	Druckfeder.....	Compression spring.....			
12	2			1134-3456-01	Buchse.....	Bushing.....			
13	1			9747-0631-02	Mutter .....	Lock nut .....			
14	1			1134-1565-08	Distanz.....	Spacer .....			
15	1			9997-0870-16	Schraube .....	Screw .....			
16	1			9699-0056-02	Scheibe.....	Flat washer.....			
17	1			9747-0831-02	Mutter.....	Lock nut .....			
18	1			1134-3289-02	Riemenführung.....	Belt guide .....			
19	1			9959-0820-16	Schraube .....	Screw .....			
20	1			9699-0056-02	Scheibe.....	Flat washer.....			
21	1			9739-0831-22	Mutter .....	Nut .....			
22	1			1134-6414-01	Feder .....	Spring .....			
23	1			9699-0060-02	Scheibe.....	Flat washer.....			
24	1			1137-0124-01	Getriebe kpl .....	Transaxle assy.....			Kanzaki K574G 2- port
25	4			9960-0860-12	Schraube .....	Screw .....			
26	4			9747-0831-02	Mutter.....	Lock nut .....			
27	1			1134-3913-01	Strebe .....	Strut .....			
28	1			9959-0825-16	Schraube .....	Screw .....			
29	1			9997-0845-12	Schraube .....	Screw .....			
30	1			9699-0090-02	Scheibe.....	Flat washer.....			
31	2			9747-0831-02	Mutter.....	Lock nut .....			
32	1			9747-0631-02	Mutter .....	Lock nut .....			
33	1			4231-0013-00	Feder .....	Spring .....			
40	1			1134-6029-01	Motorachse- vorne.....	Transaxle- front .....			Kanzaki KTM 10M
47	2			9960-0860-12	Schraube .....	Screw .....			
49	2			9747-0831-02	Mutter.....	Lock nut .....			
50	1			1134-5703-01	Flanschlager .....	Flange bearing.....			
50A	1			9501-0500-00	• Schmiernippel.....	• Grease joint.....			
51	2			9997-1040-16	Schraube .....	Screw .....			
52	2			9731-1031-22	Mutter.....	Nut .....			
53	1			1134-5670-01	Strebe.....	Strut .....			
54	1			9997-0880-16	Schraube .....	Screw .....			
55	1			9699-0090-02	Scheibe.....	Flat washer.....			
56	1			9747-0831-02	Mutter.....	Lock nut .....			
57	2			9945-0816-16	Schraube .....	Screw .....			

X

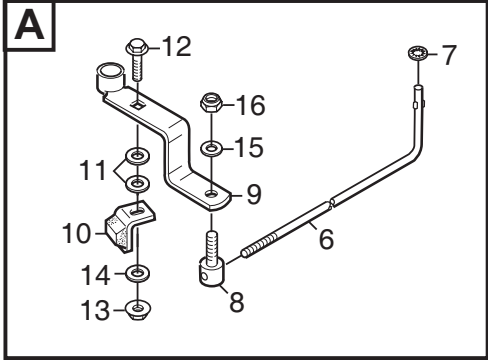
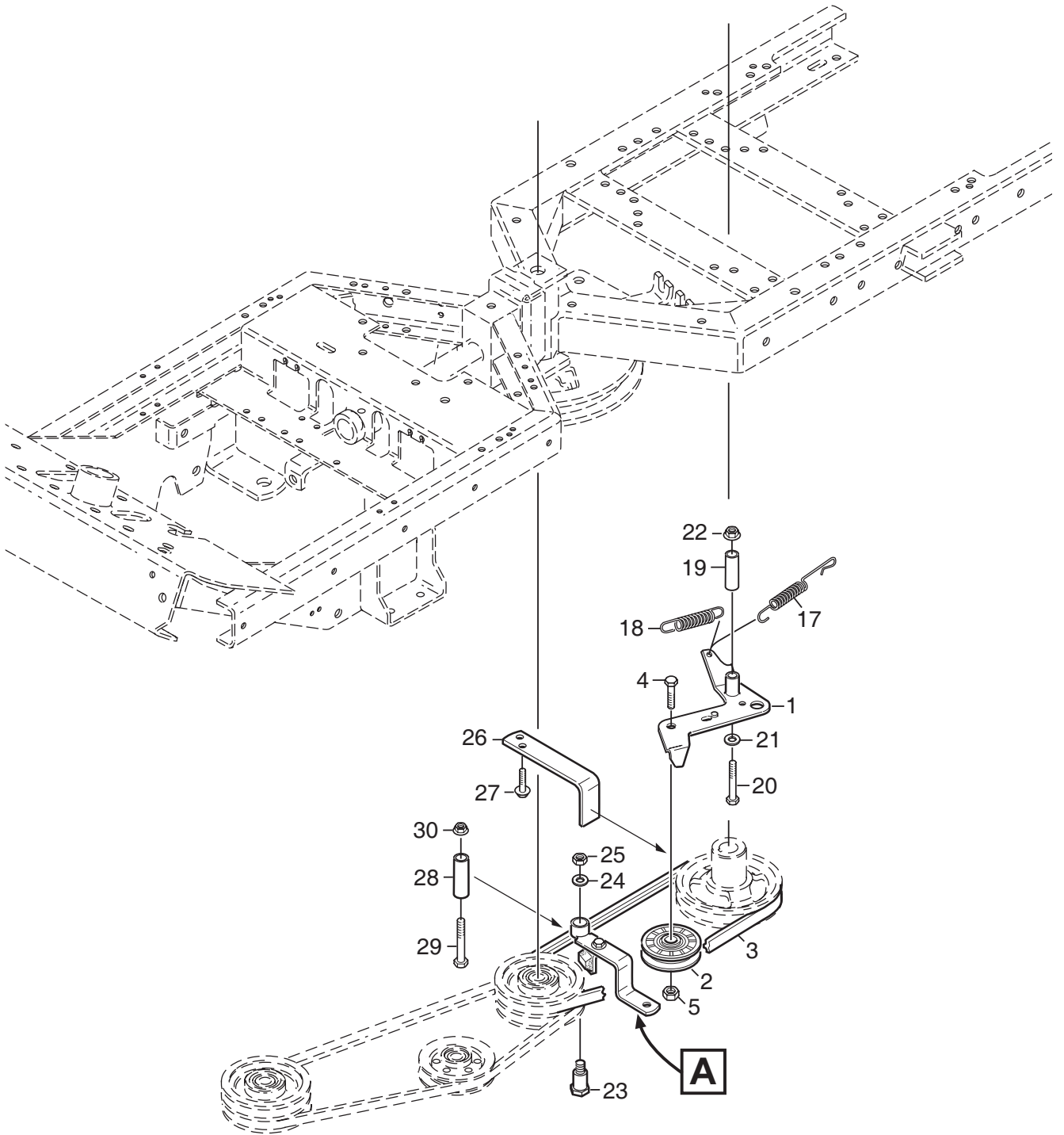


Ausgabe Issue		Bild Nr Picture No		XKH4 165HD- XKH4 180HD TRANSMISSION (Hydr)		XKH4 165HD- XKH4 180HD TRANSMISSION (hydr)		Seite Page	
2010-31		2039A						150	
Pos. Fig.	Anzahl/Quantity				Artikel Nr. Part No	Bezeichnung	Description	Satz Kit	Anmerkung Notes
	6197								
6177									
1	1				1134-6044-01 Winkeladapter.....	Angle coupling .....			3/4" x 9/16"
1A	1				9404-0029-01 • O-ring.....	• O-ring .....			
2	1				1134-5875-01 Hydraulikkupplung.....	Hydraulic coupling .....			3/4"
2A	1				9404-0029-01 • O-ring.....	• O-ring .....			
3	1				1134-6039-01 Hydraulrohr .....	Hydraulic pipe .....			
4	1				1134-4948-01 Dichtungsscheibe .....	Seal washer.....			1/4"
5	1				1134-6042-01 Schnellkupplung .....	Quick coupling-male.....			
6	1				9578-0028-01 Rohrklemme.....	Tube clamp.....			
7	1				9959-0825-16 Schraube .....	Screw .....			
8	1				1134-1565-09 Distanz.....	Spacer.....			
9	1				1134-5809-01 Hydraulikkupplung.....	Hydraulic coupling .....			3/4" x 9/16"
9A	1				9404-0029-01 • O-ring.....	• O-ring .....			
10	1				1134-5758-04 Hydraulschlauch .....	Hydraulic tube.....			
11	1				1134-6048-01 Hydraulschlauch .....	Hydraulic tube.....			
12	1				1134-6043-01 Hydraulschlauch .....	Hydraulic tube.....			
13	1				1134-6011-01 Hydraulöltank .....	Hydraulic oil tank .....			
13A	1				1134-5965-01 • Tankdeckel .....	• Tank cap .....			
14	1				1134-5941-01 Tankkonsole.....	Tank bracket.....			
15	2				9959-0820-16 Schraube .....	Screw .....			
16	2				9739-0831-22 Mutter .....	Nut .....			
17	1				1134-3203-01 Kabelhülse .....	Grommet.....			
18	1				1134-5943-01 Tankbügel .....	Tank loop .....			
19	2				9747-0631-02 Mutter .....	Lock nut .....			
20	3				9578-0023-04 Schlauchklemme .....	Hose clamp .....			
21	1				1134-2779-02 Schlauch.....	Tube .....			L = 260 mm
30	1				1134-6162-01 Halterung .....	Bracket.....			
31	2				9939-0612-16 Schraube .....	Screw .....			
32	2				9699-0025-02 Scheibe.....	Washer.....			
33	1				1134-6163-01 Draht .....	Cable .....			
34	1				9997-0835-12 Schraube .....	Screw .....			
35	2				9739-0831-22 Mutter .....	Nut .....			
36	1				1134-6084-01 Konsole .....	Control bracket .....			
37	1				1134-6083-01 Regulierstange.....	Control rod.....			
38	1				1134-4014-01 Plastikknopf.....	Plastic button .....			
39	1				1134-2790-01 Gummihülse .....	Rubber grommet.....			
40	1				9675-0009-02 Verriegelungsscheibe .....	Starlock .....			
50	1				1134-4015-01 Zugstange.....	Pull rod .....			
51	1				1134-4014-01 Plastikknopf.....	Plastic button .....			
52	1				1134-4713-01 Winkel .....	Bracket.....			
53	1				1134-2790-01 Gummihülse .....	Rubber grommet.....			
54	1				9959-0820-16 Schraube .....	Screw .....			
55	1				9739-0831-22 Mutter .....	Nut .....			
56	1				9675-0009-02 Verriegelungsscheibe .....	Starlock .....			



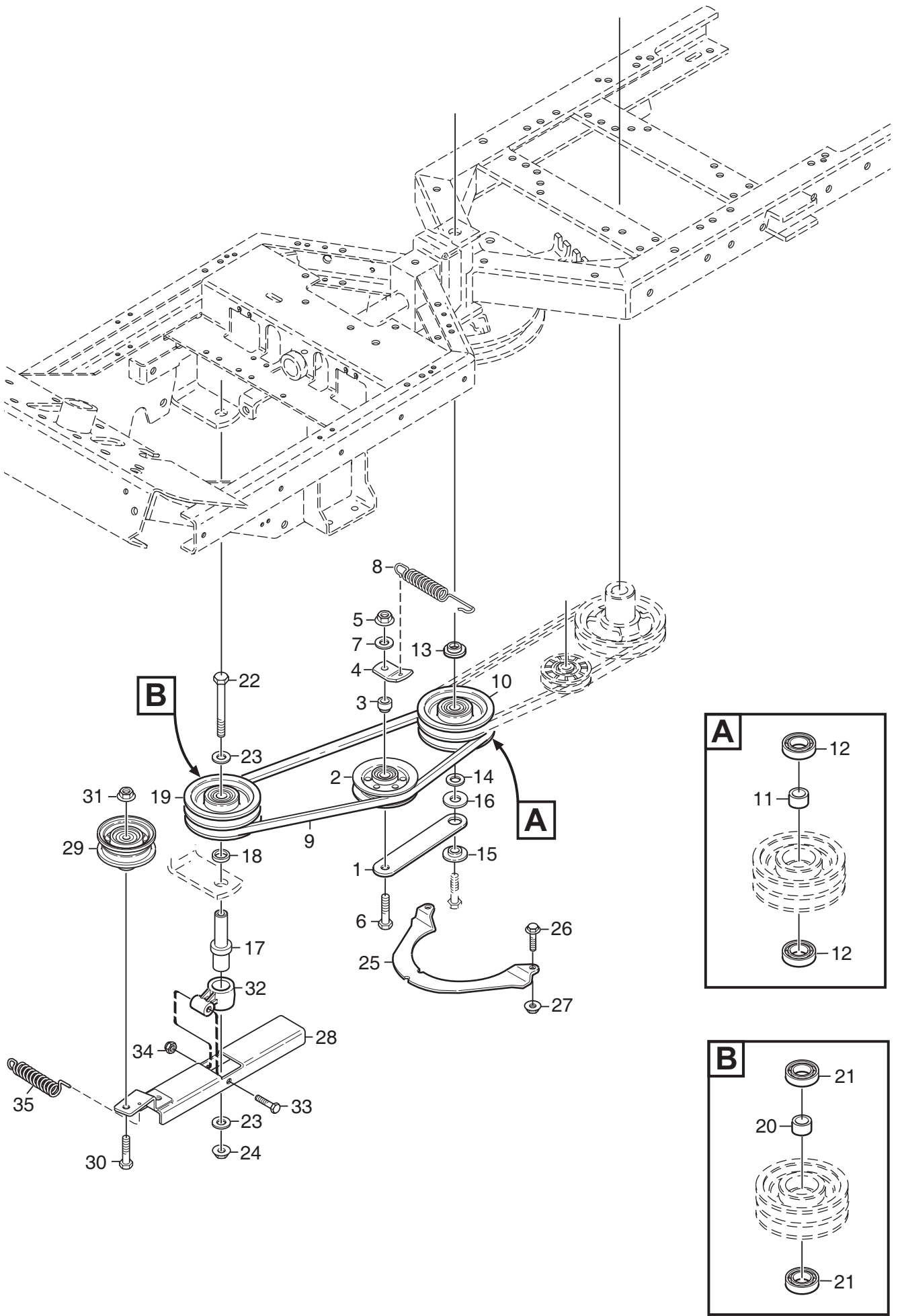
Ausgabe Issue 2010-31		Bild Nr Picture No 2208B		XKH4 165HD- XKH4 180HD RÄDER 16"		XKH4 165HD- XKH4 180HD WHEELS 16"		Seite Page 152	
Pos. Fig.	Anzahl/Quantity				Artikel Nr. Part No	Bezeichnung	Description	Satz Kit	Anmerkung Notes
	6197 6177								
1	2				1134-4844-03 Radnabe .....	Wheel hub .....			
2	2				1134-3383-02 Keil .....	Key .....			
3	2				1134-4558-01 Felge .....	Rim .....			
4	2				9545-0116-00 Reifen .....	Tyre .....			16 x 7.50 - 8
5	2				9545-0500-00 Ventil .....	Valve .....			
6	6				9731-1031-22 Mutter .....	Nut .....			
9	4				1134-5797-01 • Scheibe .....	• Washer .....			
10	2				9653-0002-04 • Schließring .....	• Lock ring .....			
21	2				1134-4844-02 Radnabe .....	Wheel hub .....			
22	2				1134-2471-01 Keil .....	Key .....			
23	2				1134-4558-01 Felge .....	Rim .....			
24	2				9545-0116-00 Reifen .....	Tyre .....			16 x 7.50 - 8
25	2				9545-0500-00 Ventil .....	Valve .....			
26	6				9731-1031-22 Mutter .....	Nut .....			
29	2				9699-0042-02 Scheibe .....	Flat washer .....			
30	2				9653-0001-04 Schließring .....	Lock ring .....			
31	2				1134-4796-01 Nabenkapsel .....	Hub cap .....			
32	2				9947-0540-19 Schraube .....	Screw .....			
45	1				13-0993-61 Schnellhalter kpl .....	Quick connections .....			Pos 9,10,46-51 incl.
46	1				1134-7465-01 • Halterungen kpl, L+R .....	• Attachment kit, LH+RH .....			Pos 50-51 incl.
47	2				1137-0077-01 • Schloßzapfen .....	• Locking pin .....			
48	4				1134-5686-01 • Lagerbuchse .....	• Bearing bush .....			
49	2				9501-0502-00 • Schmiernippel .....	• Grease joint .....			
50	2				9898-1035-16 •• Schraube .....	•• Screw .....			
51	2				9739-1031-22 •• Mutter .....	•• Nut .....			
99					9545-0203-00 Innenschlauch .....	Inner tube .....			Only as spare part

X





Ausgabe Issue 2010-31		Bild Nr Picture No 2030		XKH4 165HD- XKH4 180HD NEBENANTRIEB 1		XKH4 165HD- XKH4 180HD POWER TAKE- OFF 1		Seite Page 154	
Pos. Fig.	Anzahl/Quantity				Artikel Nr. Part No	Bezeichnung	Description	Satz Kit	Anmerkung Notes
	6197 6177								
1	1				1134-2018-02	Spannarm .....	Tension arm .....		
2	1				1134-2989-02	Spannrolle- grau .....	Tension roller- grey .....		
3	1				9585-0129-01	Keilriemen .....	V- belt .....		
4	1				9997-1030-16	Schraube .....	Screw .....		
5	1				9799-1031-02	Mutter .....	Nut .....		
6	1				1134-4162-01	Bremsstange .....	Brake rod .....		
7	1				9675-0008-02	Verriegelungsscheibe .....	Locking washer .....		
8	1				1134-4170-01	Nippel .....	Nipple .....		
9	1				1134-4111-01	Bremsarm .....	Brake arm .....		
10	1				1134-4164-03	Bremsklotz .....	Brake pad .....		
11	2				9699-0035-02	Scheibe .....	Flat washer .....		
12	1				9897-0825-16	Schraube .....	Screw .....		
13	1				9747-0831-02	Mutter .....	Lock nut .....		
14	1				9699-0090-02	Scheibe .....	Flat washer .....		
15	1				9699-0025-02	Scheibe .....	Washer .....		
16	1				9747-0631-02	Mutter .....	Lock nut .....		
17	1				4231-0013-00	Feder .....	Spring .....		
18	1				1134-4231-01	Zugfeder .....	Spring .....		
19	1				1134-1565-10	Distanz .....	Spacer .....		
20	1				9997-0860-16	Schraube .....	Screw .....		
21	1				9699-0056-02	Scheibe .....	Flat washer .....		
22	1				9739-0831-22	Mutter .....	Nut .....		
23	1				1134-4163-01	Ansatzschraube .....	Shoulder bolt .....		
24	1				9699-0035-02	Scheibe .....	Flat washer .....		
25	1				9739-1031-22	Mutter .....	Nut .....		
26	1				1134-3958-01	Riemenführung .....	Belt guide .....		
27	2				9893-0616-16	Schraube .....	Screw .....		
28	1				1134-0041-03	Hülse .....	Collar .....		
29	1				9997-1070-12	Schraube .....	Screw .....		
30	1				9739-1031-22	Mutter .....	Nut .....		



Ausgabe Issue		Bild Nr Picture No		XKH4 165HD- XKH4 180HD NEBENANTRIEB 2		XKH4 165HD- XKH4 180HD POWER TAKE- OFF 2		Seite Page	
2010-31		2031A						156	
Pos. Fig.	Anzahl/Quantity				Artikel Nr. Part No	Bezeichnung	Description	Satz Kit	Anmerkung Notes
	6197 6177								
1	1				1134-1730-01	Spannradarm.....	Tension wheel arm.....		
2	1				1134-3663-01	Spannrolle.....	Tension wheel.....		
3	1				1134-1888-05	Distanz.....	Spacer.....		
4	1				1134-1893-01	Federhalterung.....	Spring attachment.....		
5	1				9739-1031-22	Mutter.....	Nut.....		
6	1				9997-1060-12	Schraube.....	Screw.....		
7	1				9699-0035-02	Scheibe.....	Flat washer.....		
8	1				1134-5713-01	Zugfeder.....	Spring.....		
9	1				9585-0148-01	Keilriemen.....	V- belt.....		
10	1				1134-1769-03	Riemenscheibe Kpl.....	Centre pulley assy.....		
11	1				1134-0051-09	• Distanz.....	• Spacer.....		
12	2				9549-0019-00	• Kugellager.....	• Ball bearing.....		
13	1				1134-5548-01	Distanz.....	Spacer.....		
14	1				9699-0035-02	Scheibe.....	Flat washer.....		
15	1				1134-0222-00	Spannradscheibe.....	Washer.....		
16	1				9699-0109-02	Scheibe.....	Flat washer.....		
17	1				1134-5663-01	Achse.....	Shaft.....		
18	1				1134-0052-00	Lagerdistanz.....	Bearing spacer.....		
19	1				1134-1769-03	Riemenscheibe Kpl.....	Centre pulley assy.....		
20	1				1134-0051-09	• Distanz.....	• Spacer.....		
21	2				9549-0019-00	• Kugellager.....	• Ball bearing.....		
22	1				9997-1011-06	Schraube.....	Screw.....		
23	2				9699-0030-02	Scheibe.....	Flat washer.....		
24	1				9739-1031-22	Mutter.....	Nut.....		
25	1				1134-3654-01	Fingerschutz.....	Finger guard.....		
26	2				9959-0612-16	Schraube.....	Screw.....		
27	2				9739-0631-22	Mutter.....	Nut.....		
28	1				1134-5660-01	Spannarm.....	Tension arm.....		
29	1				1134-5823-01	Spannrolle.....	Tension roller.....		
30	1				9997-1050-16	Schraube.....	Screw.....		
31	1				9739-1031-22	Mutter.....	Nut.....		
32	1				1134-6314-01	Halterung.....	Attachment.....		
33	1				9997-0645-12	Schraube.....	Screw.....		
34	1				9747-0631-02	Mutter.....	Lock nut.....		
35	1				1134-5824-01	Feder.....	Spring.....		